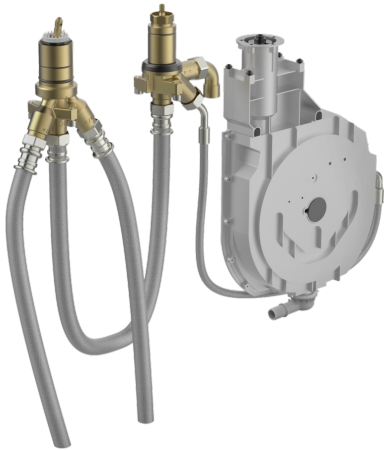
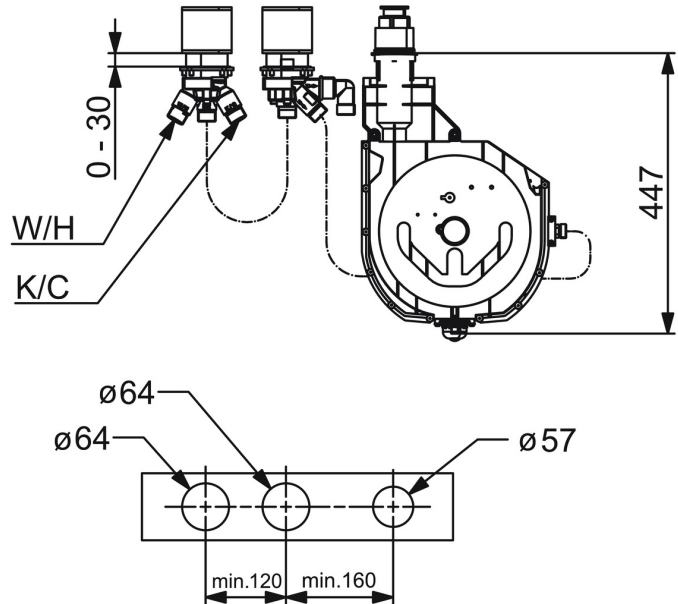
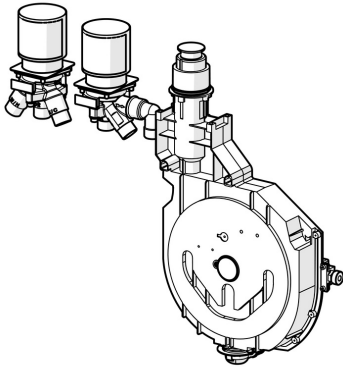


EAN: 4057304007200
static.hansa.com/53030300



- Bathtub & Shower
- Concealed unit
- Rim mounted
- Chrome
- Turn operated diverter
- Limitation option for maximum temperature and flow-rate, Adjustable hot water stop (included, retrofittable)
- \varnothing 40 mm ceramic cartridge for flow and temperature control
- Flexible inlet pipes
- ROLLBOX with automatic hose wind



Technical data

Technical properties

DN-size (nominal dimension)	DN20
Hot water supply	max. +70°C
Working pressure	0.5-10 bar
Connection size	G3/4
Backflow prevention (EN1717)	EB
Material	Brass

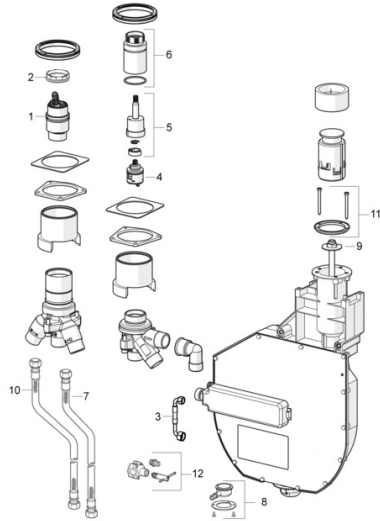
Regulations

EN standard	EN 817
-------------	---------------

Approvals and Declarations

Declaration of conformity	DoC
---------------------------	------------

Spare parts



SP53030300

	Name	Code
01	Cartridge, 4.0 Classic	59914129
02	Tightening nut, M42x1.5, SW 38	59914128
03	Hose, G3/4xG1/2, L=650	59912693
04	Diverter	59914183
05	Spindle	1003510V
06	Screw sleeve, M36x1.5, SW30	59914696
07	Flexible pipe, L=800, G3/4xG3/4	59912247
08	Connector	59912351
09	Disk	59912337
10	Flexible pipe, L=1000, G3/4xG3/4	59912246
11	Retaining ring	59912353
12	Connector	59910573
N.I.	Roll box for hose	53060200
N.I.	Raising kit, 30 mm	59914626
N.I.	Raising kit, 30 mm	59914627