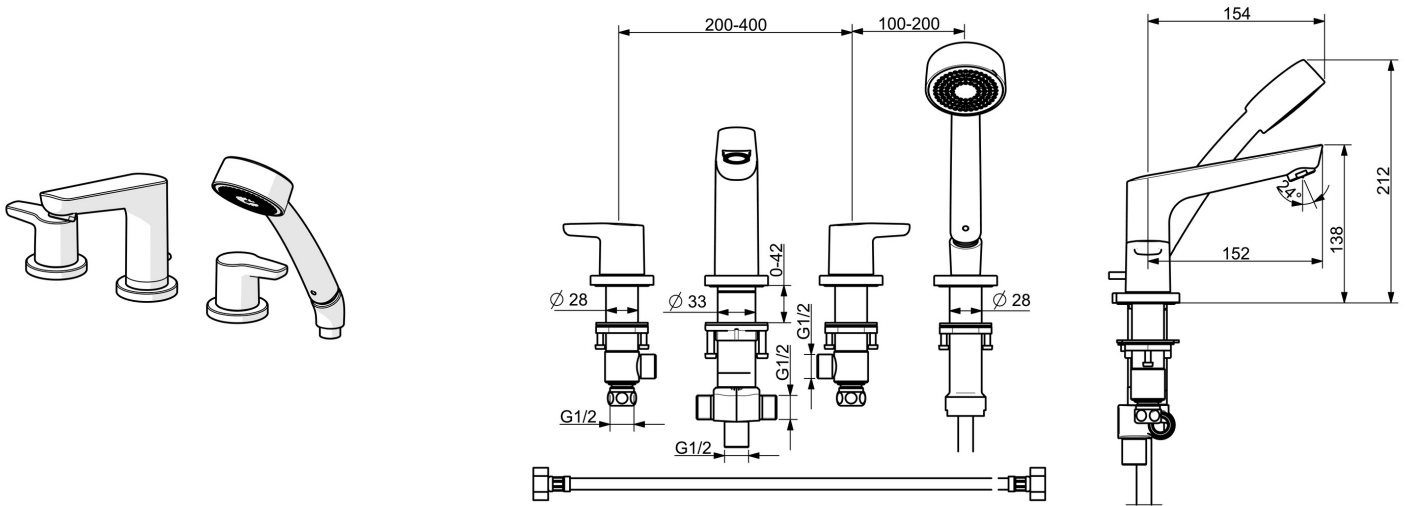


EAN: 4057304003523
static.hansa.com/52952071



- Bath tub & Shower
- Two-grip
- Rim mounted
- Chrome
- Fixed spout
- Standard aerator
- Hot/Cold symbols, Two operating levers/handles
- Pull operated diverter
- Ceramic head part for flow control, Non-return valve(s), Litter filter(s)
- Inner body made of DZR brass



Technical data

Flow properties

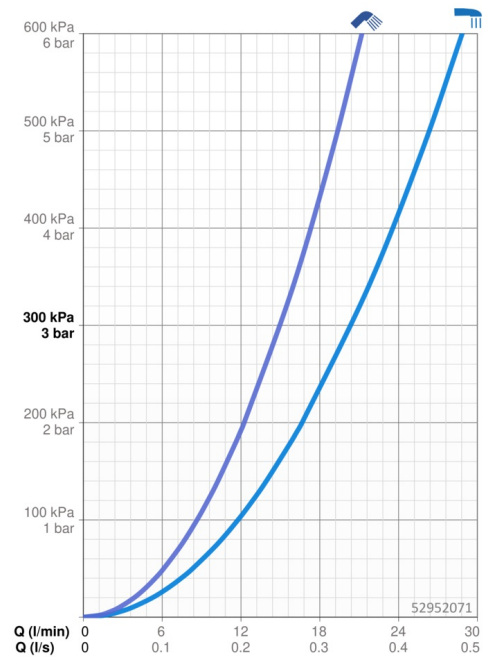
Flow-rate at 3 bar **20.4 / 15.0 l/min**

Technical properties

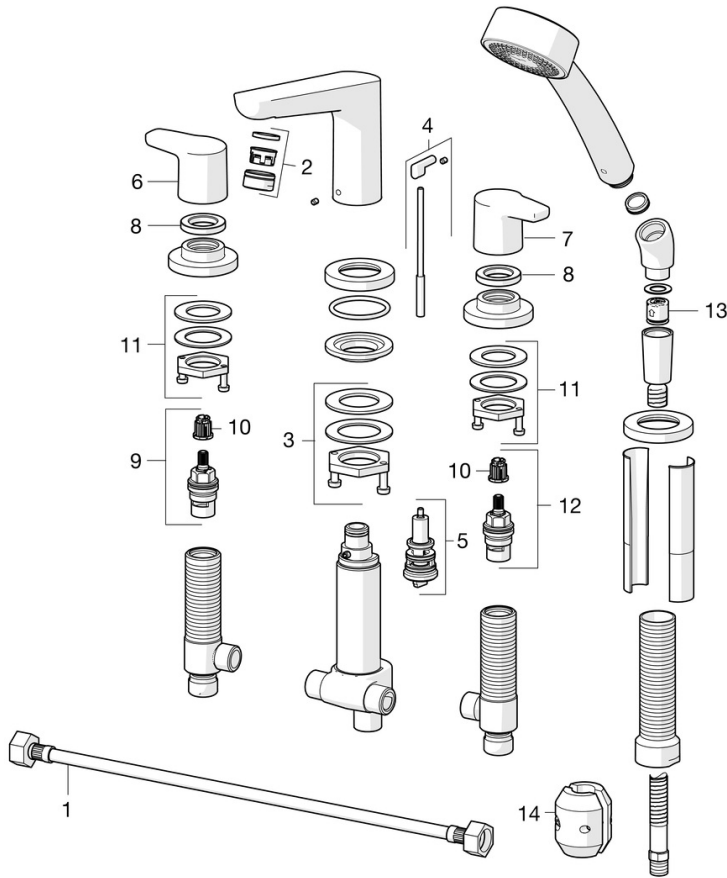
DN-size (nominal dimension) **DN15**
 Hot water supply **max. +80°C**
 Working pressure **0.5-10 bar**
 Connection size **G1/2**
 Projection **135 mm**
 Backflow prevention (EN1717) **EB**

Regulations

EN standard **EN 200**



Spare parts



SP52952071

	Name	Code
01	Flexible pipe, L=600, G1/2xG1/2 Discontinued	59914408
02	Aerator, M24x1 C	59913401
03	Fixing set	59913371
04	Pop-up operating rod	59914413
05	Diverter	59912706
06	Handle	59914411
07	Handle Discontinued	59914415
08	Tightening nut, d35.5xM24x1	59912023
09	Headpart, G1/2, SW17	59913224
10	Adapter White	59910235
11	Fixing set Discontinued	59914403
12	Headpart, G1/2	59913457
13	Non-return valve	59905714
14	Counterbalance	59914039