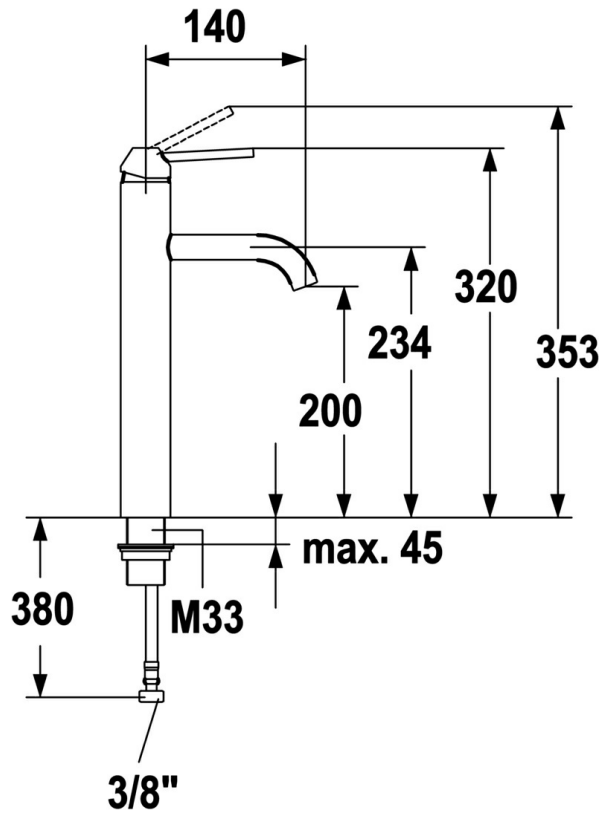


EAN: 4015474160262
static.hansa.com/5292220396



- Washbasin
- Single-lever
- Deck mounted
- Fixed spout
- Single operating lever/handle, Hot/Cold symbols



Technical data

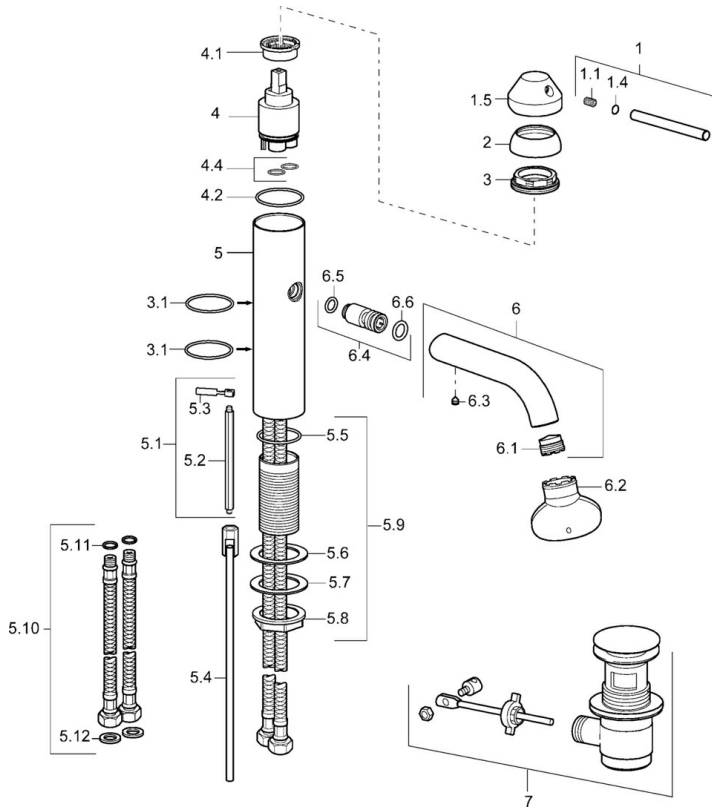
Technical properties

| | |
|------------------|-------------------|
| Hot water supply | max. +80°C |
| Working pressure | 0.5-10 bar |
| Material | Brass |

Regulations

| | |
|-------------|---------------|
| EN standard | EN 817 |
|-------------|---------------|

Spare parts



SP5291220396

| | Name | Code |
|------|------------------------------------------------|------------|
| 1 | Lever, L=80, 7.7 mm Brushed steel Discontinued | 5991319696 |
| 1.1 | Screw, M6x16, SW 2.5 | 59910120 |
| 1.5 | Cap Brushed steel Discontinued | 5991319596 |
| 2 | Cap Brushed steel Discontinued | 5991319796 |
| 3 | Screw, M38x1, SW32 Discontinued | 59913198 |
| 3.1 | O-ring, d 34.65x1.78 Discontinued | 59913206 |
| 4 | Cartridge, 3.5 Eco | 59912324 |
| 4.1 | Temperature adjustment limiter | 59912325 |
| 4.2 | O-ring, d 28.24x2.62 Discontinued | 59912590 |
| 4.4 | O-ring, d 10.10x1.60 Discontinued | 59905072 |
| 5.1 | Lever Discontinued | 59913204 |
| 5.4 | Link rod, L=258 Discontinued | 59913205 |
| 5.9 | Fixing set Discontinued | 59913207 |
| 5.10 | Flexible pipe, L=590, G3/8-M10x1 Discontinued | 59913166 |
| 5.11 | O-ring, d 7.65x1.78 | 59902337 |
| 5.12 | Gasket, 9.5x14.4x2 | 59912551 |
| 6 | Spout, L=120 Brushed steel Discontinued | 5991319996 |
| 6.1 | Aerator, M18.5 AG Discontinued | 59913200 |
| 6.3 | Screw, M5x6, SW2.5 | 59912617 |
| 6.4 | Nipple Discontinued | 59913203 |
| 6.5 | O-ring, d 10.5x1.5 Discontinued | 59913202 |
| 6.6 | O-ring, 10.8x2.62 Discontinued | 59902339 |
| 7 | Pop-up waste Brushed steel Discontinued | 5991320896 |