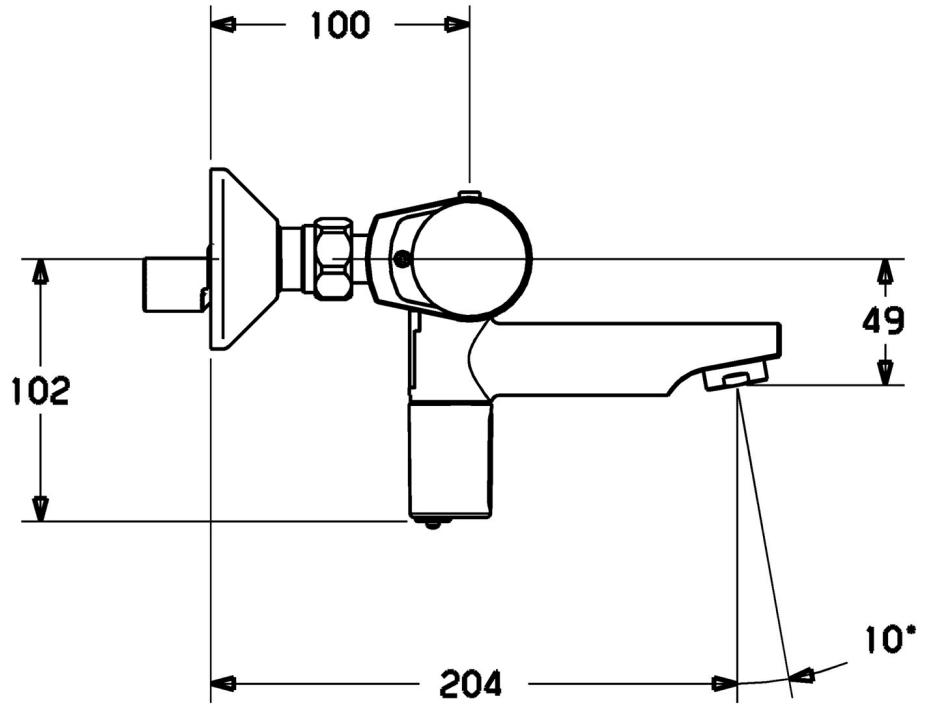
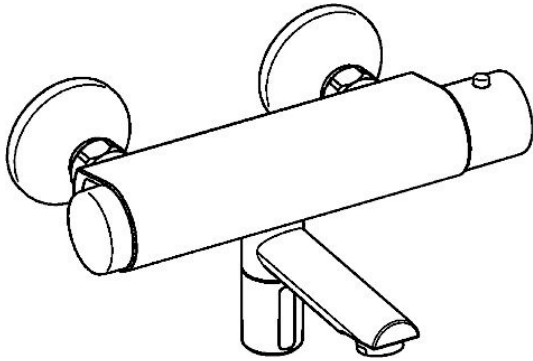


EAN: 4015474258051  
[static.hansa.com/52722200](https://static.hansa.com/52722200)



- Public & Semi-public
- Battery-operated
- Wall mounted
- Chrome
- Fixed spout
- Standard aerator
- Temperature control handle
- Safety stop against scalding at 38°C
- Litter filter(s), Non-return valve(s)
- Solenoid valve, Infrared sensor
- Eccentric coupling(s), with integrated shut-off valve(s)
- Software settings adjustable via buttons



## Technical data

### Flow properties

Flow-rate at 3 bar **6.0 l/min**

### Technical properties

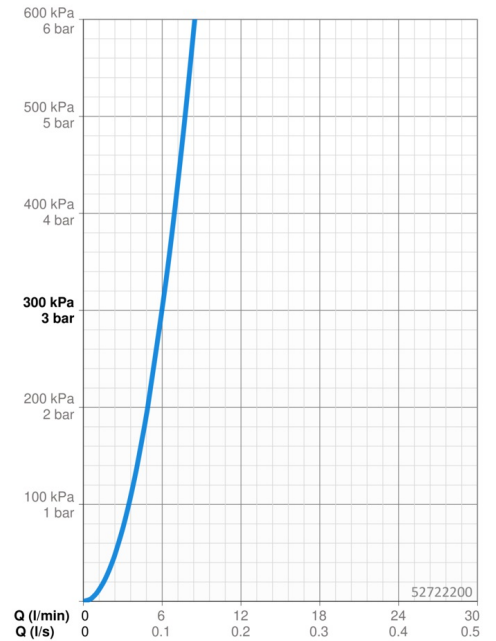
DN-size (nominal dimension) **DN15**  
 Hot water supply **max. +70°C**  
 Working pressure **1-10 bar**  
 Connection size **G1/2**  
 Installation width **cc150 ± 20 mm**  
 Projection **204 mm**  
 Backflow prevention (EN1717) **EB**  
 Material **Brass**

### Electronic properties

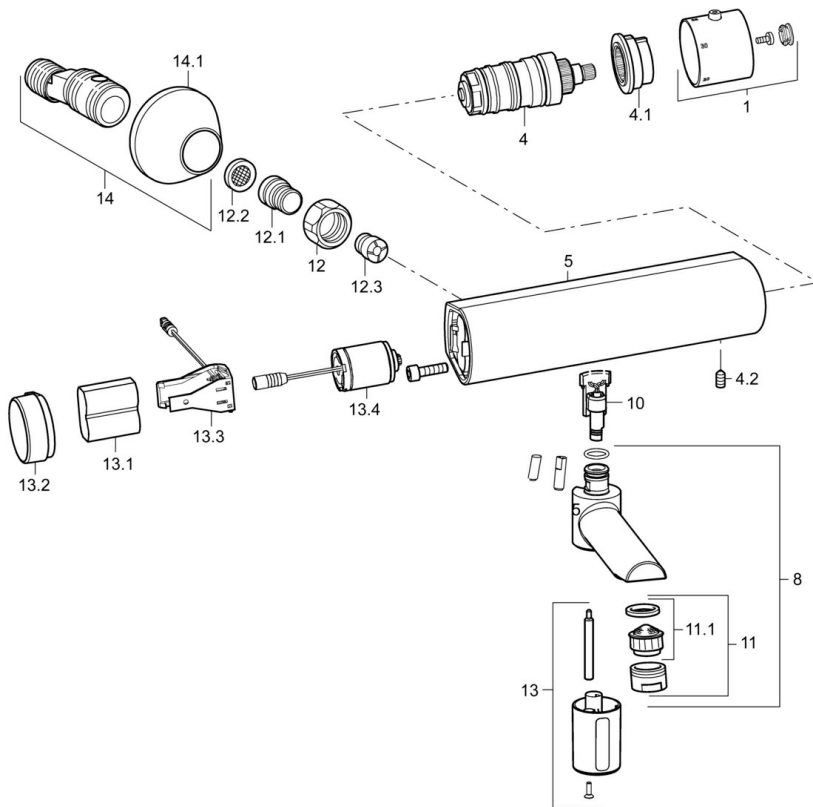
Battery **Lithium DL223 6 V**

### Regulations

EN standard **EN 15091**



## Spare parts



### SP5272200

	Name	Code
1	Temperature control handle Discontinued	59913895
4	Thermostatic cartridge, 3.3	59913871
4.1	Retaining ring Discontinued	59913896
4.2	Screw, M6x9.5	59901609
8	Spout, L=110 Discontinued	59913893
8	Spout, L=170 Discontinued	59913894
10	Wire Discontinued	59913899
11	Aerator, M24x1 Z	59906826
11.1	Aerator, M22/24, Z	59906830
12	Connection nut, G3/4, AF30	59902230
12.1	Nipple	59911075
12.2	Filter sealing, G3/4	59911076
12.3	Non-return valve	59905714
13	Electronics	59913892
13.1	Lithium battery, DL223A /CR-P2	59912443
13.2	Cover Discontinued	59913897
13.3	Battery holder with circuit card Discontinued	59913898
13.4	Solenoid valve	59912240
14	Eccentric coupling with stop valves and cover plates, G1/2xG3/4	59902034
14.1	Cover flange	59904796