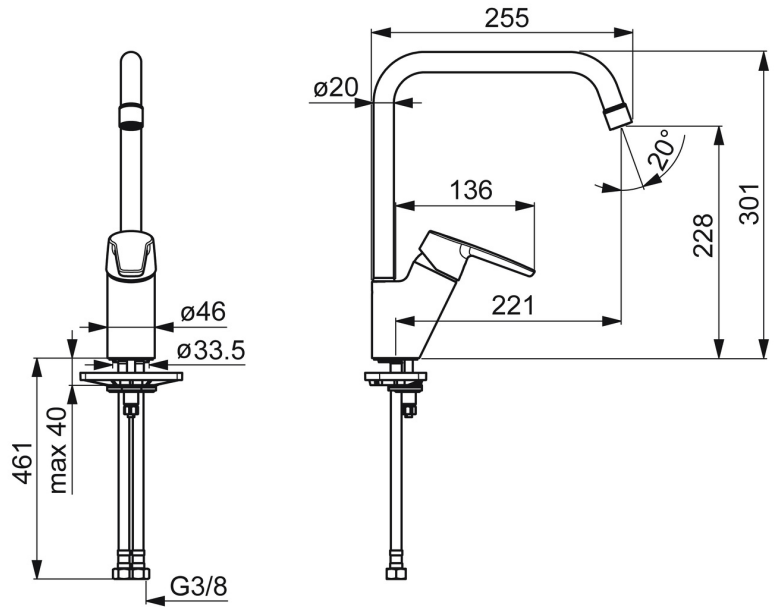
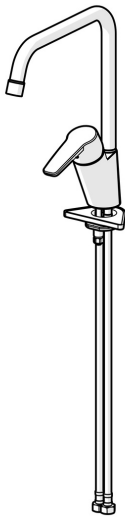


EAN: 4057304005183
static.hansa.com/52702293



- Kitchen
- Single-lever
- Deck mounted
- Chrome
- Swivel spout, Swivel range limiting option
- Hot/Cold symbols, Single operating lever/handle
- Limitation option for maximum temperature and flow-rate, Adjustable hot water stop (included, retrofittable)
- Litter filter(s), \varnothing 35 mm ceramic cartridge for flow and temperature control
- Flexible inlet pipes
- Rapid installation system



Technical data

Flow properties

Flow-rate at 3 bar **10.2 l/min**

Technical properties

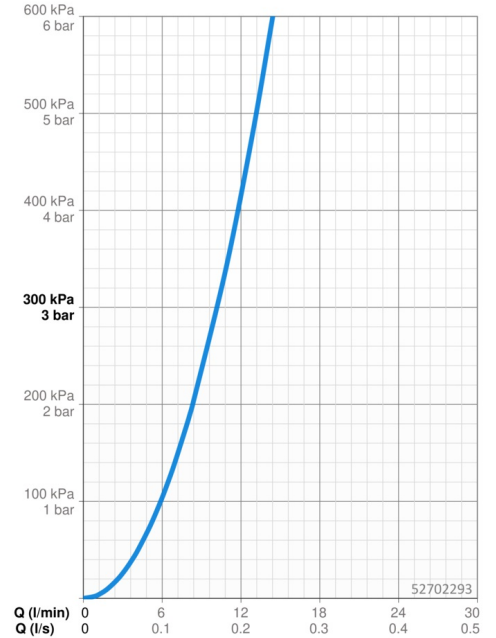
DN-size (nominal dimension) **DN15**
 Hot water supply **max. +80°C**
 Working pressure **0.5-10 bar**
 Connection size **G3/8**
 Projection **221 mm**
 Backflow prevention (EN1717) **AA**
 Material **Brass**

Regulations

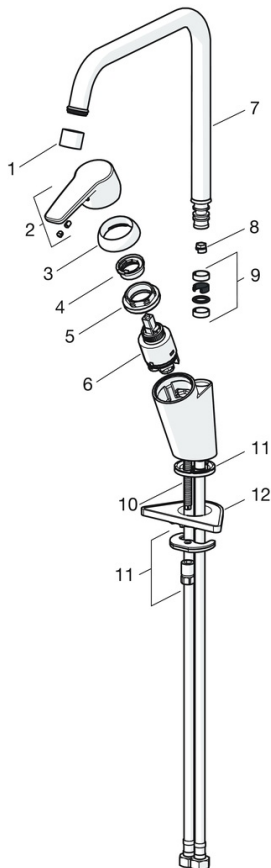
EN standard **EN 817**

Approvals and Declarations

Declaration of conformity **DoC**
 EPD **S-P-06396**



Spare parts



SP52702293

	Name	Code
01	Aerator, M22x1 STD CC A	59914436
02	Lever	59914417
03	Covering cap, 33x3 mm	59912504
04	Temperature adjustment limiter	59912325
05	Tightening nut, M40x1	1003409V
06	Cartridge, 3.5 Classic	59913075
07	High spout, L=255 Discontinued	59914438
08	Spout overturning stopper, 60° / 0°	59914264
08	Spout overturning stopper, 120° Discontinued	59914429
09	Sealing kit for spout	59914266
10	Fixing screw, M8x1, L=140	59912474
11	Fixing set	59910749
12	Supporting plate	59910008