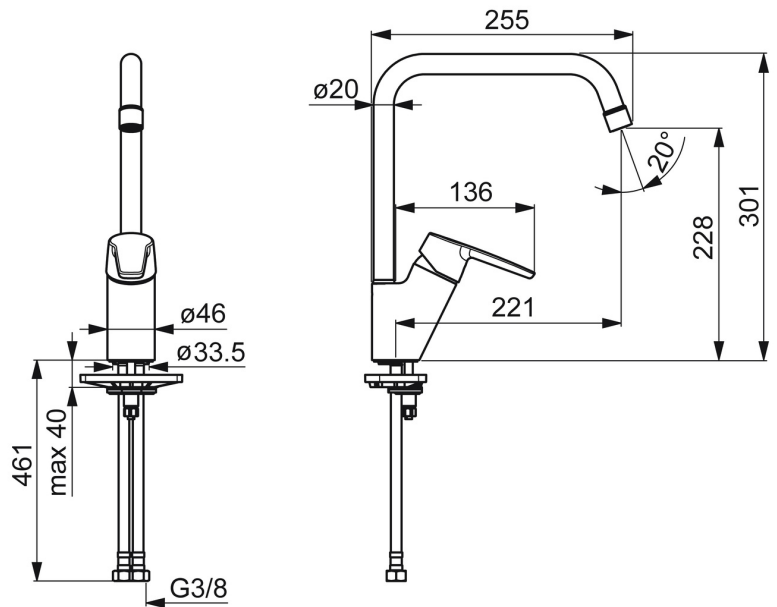
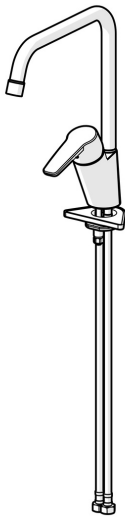


EAN: 4057304018435
static.hansa.com/5270220300066



- ECO Building, Housing
- Single-lever, Cold Start
- Deck mounted
- Chrome
- Swivel spout, Swivel range limiting option
- Standard aerator
- Single operating lever/handle, Hot/Cold symbols
- Limitation option for maximum temperature and flow-rate, Energy saving variation (Cold Start) - cold water in the middle position
- \varnothing 35 mm ceramic eco cartridge for flow and temperature control
- Flexible inlet pipes



Technical data

Flow properties

Eco-flow at 3 bar	4.5 l/min
Flow-rate at 3 bar	6.0 l/min
Flow-rate at 3 bar (with flow controller)	6.0 l/min

Technical properties

DN-size (nominal dimension)	DN15
Hot water supply	max. +70°C
Working pressure	0.5-10 bar
Connection size	G3/8
Projection	221 mm
Backflow prevention (EN1717)	AA
Material	Brass

Regulations

EN standard	EN 817
Noise class	I (ISO 3822)

Approvals and Declarations

Declaration of conformity	DoC
EPD	S-P-06396

