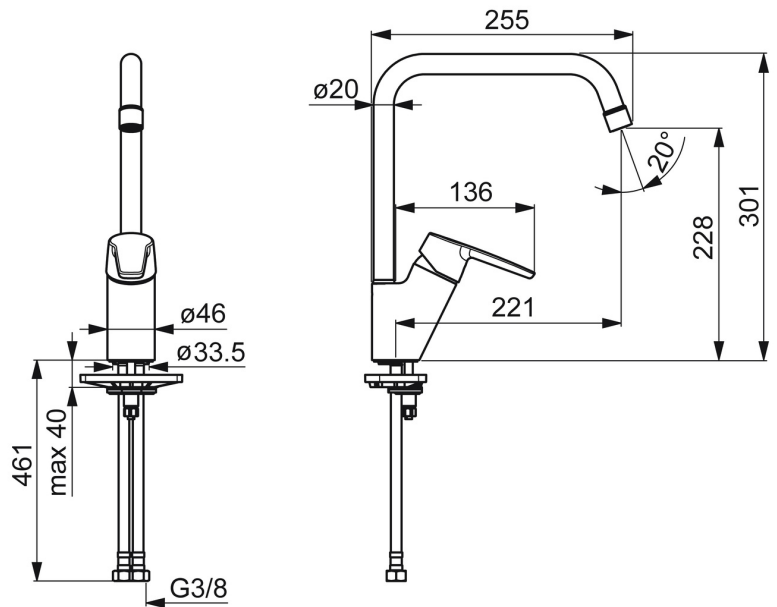
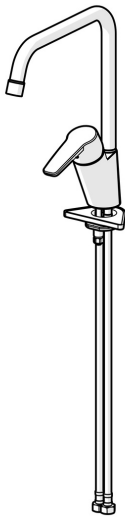


EAN: 4057304018411
static.hansa.com/5270220300046



- ECO Building
- Single-lever, Cold Start
- Deck mounted
- Chrome
- Swivel spout, Swivel range limiting option
- Standard aerator
- Single operating lever/handle, Hot/Cold symbols
- Limitation option for maximum temperature and flow-rate, Adjustable hot water stop (included, retrofittable), Energy saving variation (Cold Start) - cold water in the middle position
- \varnothing 35 mm ceramic eco cartridge for flow and temperature control
- Flexible inlet pipes



Technical data

Flow properties

Eco-flow at 3 bar	2.7 l/min
Flow-rate at 3 bar	3.4 l/min
Flow-rate at 3 bar (with flow controller)	3.4 l/min

Technical properties

DN-size (nominal dimension)	DN15
Hot water supply	max. +70°C
Working pressure	0.5-10 bar
Connection size	G3/8
Projection	221 mm
Backflow prevention (EN1717)	AA
Material	Brass

Regulations

EN standard	EN 817
Noise class	I (ISO 3822)

Approvals and Declarations

Declaration of conformity	DoC
EPD	S-P-06396

Sustainability

EPD module A1 (kg CO2 eq.)	6,04
EPD module A2 (kg CO2 eq.)	0,29
EPD module A3 (kg CO2 eq.)	2,66
EPD module A1-A3 (kg CO2 eq.)	8,98
EPD module A4 (kg CO2 eq.)	0,18
EPD module B7 (kg CO2 eq.)	1063,80
EPD module C2 (kg CO2 eq.)	0,01
EPD module C3 (kg CO2 eq.)	0,01
EPD module C4 (kg CO2 eq.)	0,27
EPD module D (kg CO2 eq.)	-5,08

