

EAN: 4057304017247
static.hansa.com/52682267



The HANSAVANTIS is the perfect fit for any bathroom, with a proven expert quality you can rely on, no matter your specific needs. Durable and long-lasting in both design and service life, this faucet brings you joy and confidence for years to come. Functional considerations and a dedicated level of detail offer a new user experience.

Easy to install with the 3S installation system.

High quality

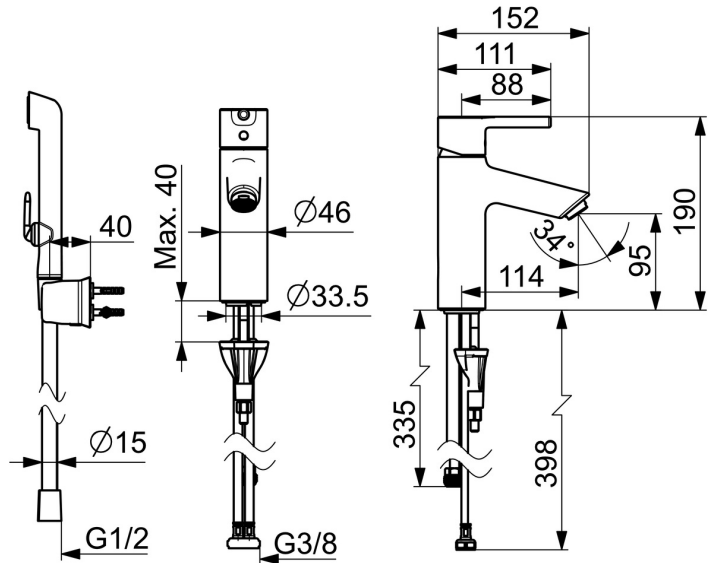
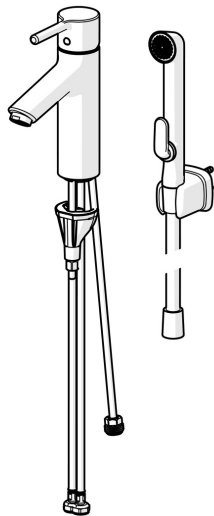
Sleek design

Intuitive Bidetta solution

Made in Europe

Washbasin faucet with maximum comfort

- Washbasin
- Single-lever, Bidetta
- Deck mounted
- Chrome
- Fixed spout
- PCA® - constant flow rate regardless of pressure variations
- Single operating lever/handle, Pin shape, Hot/Cold symbols
- Hand shower, Shower holder, Shower hose (1750 mm)
- Bidetta hand shower
- Limitation option for maximum temperature and flow-rate
- \varnothing 30 mm ceramic cartridge for flow and temperature control
- Flexible inlet pipes
- Inner body made of DZR brass, 3S-installation system for safe and simple mounting
- Without pop-up waste
- 1 spray function



Technical data

Flow properties

Flow-rate at 3 bar (with flow controller) **6.0 l/min**

Technical properties

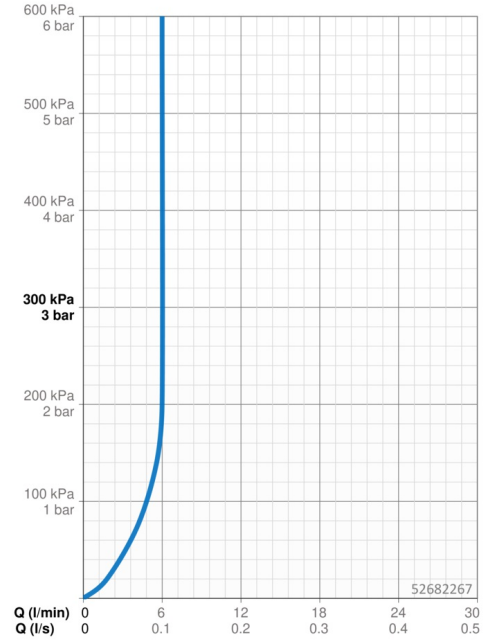
Hot water supply **max. +70°C**
 Working pressure **0.5-10 bar**
 Connection size **G3/8**
 Projection **114 mm**
 Backflow prevention (EN1717) **HC**
 Material **Brass**

Regulations

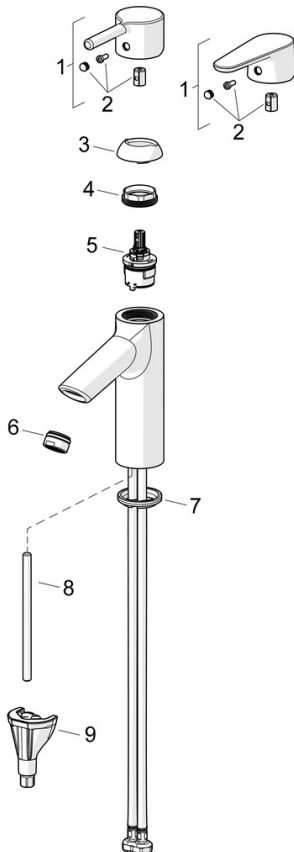
EN standard **EN 817**
 Noise class **I (ISO 3822)**

Approvals and Declarations

Declaration of conformity **DoC**
 EPD **S-P-06391**



Spare parts



SP52372263

	Name	Code
01	Lever	1014995V
01	Lever	1015000V
02	Symbol plug	1012105V
03	Covering cap	1012421V
04	Tightening nut, M34x1.5	1012133V
05	Cartridge, 3.0	1014428V
06	Aerator, M24x1, 6 l/min	59913727
07	Bottom seal	59914591
08	Fixing screw, M8x1, L=130	59914474
09	Fixing set	59914475