

EAN: 4057304017186  
[static.hansa.com/52562267](https://static.hansa.com/52562267)



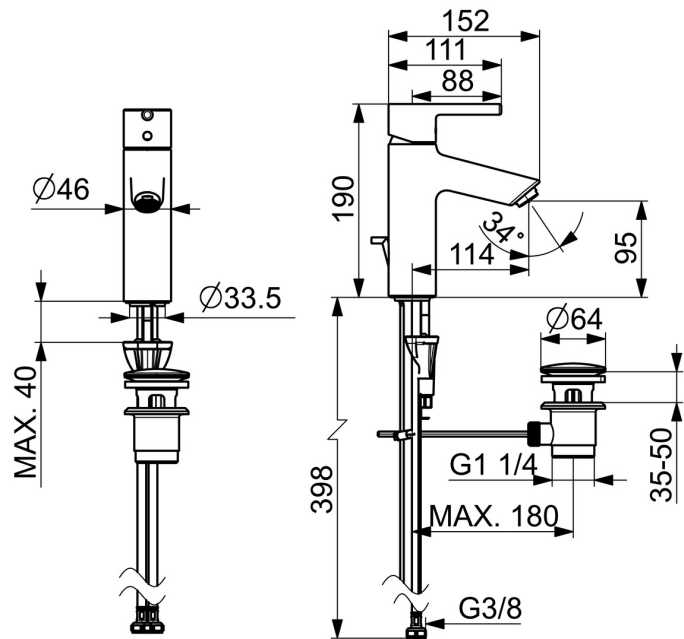
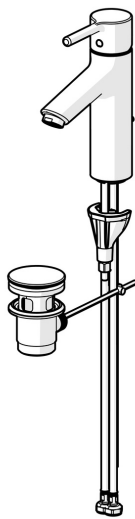
The HANSAVANTIS is the perfect fit for any bathroom, with a proven expert quality you can rely on, no matter your specific needs. Durable and long-lasting in both design and service life, this faucet brings you joy and confidence for years to come. Functional considerations and a dedicated level of detail offer a new user experience.

Easy to install with the 3S installation system.

High quality  
 Sleek design  
 Pop up  
 Made in Europe

Washbasin faucet with maximum comfort

- Washbasin
- Single-lever
- Deck mounted
- Chrome
- Fixed spout
- PCA® - constant flow rate regardless of pressure variations
- Single operating lever/handle, Pin shape, Hot/Cold symbols
- Pop-up waste with draw-rod
- Limitation option for maximum temperature and flow-rate
- $\varnothing$  30 mm ceramic cartridge for flow and temperature control
- Flexible inlet pipes
- Inner body made of DZR brass, 3S-installation system for safe and simple mounting



## Technical data

### Flow properties

Flow-rate at 3 bar (with flow controller) **6.0 l/min**

### Technical properties

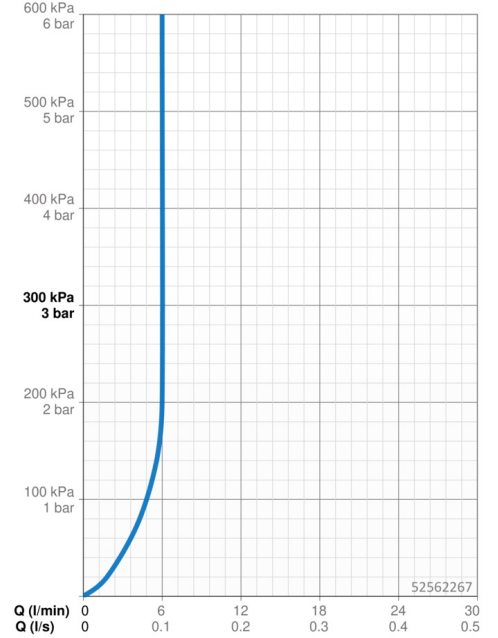
Hot water supply **max. +70°C**  
 Working pressure **0.5-10 bar**  
 Connection size **G3/8**  
 Projection **114 mm**  
 Backflow prevention (EN1717) **AA**  
 Material **Brass**

### Regulations

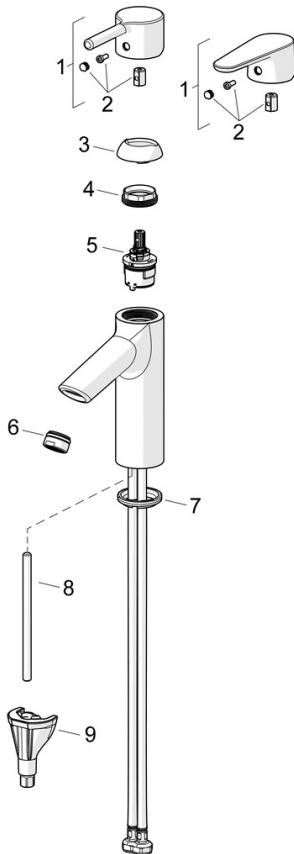
EN standard **EN 817**  
 Noise class **I (ISO 3822)**

### Approvals and Declarations

Declaration of conformity **DoC**  
 EPD **S-P-06391**



## Spare parts



### SP52372263

	Name	Code
01	Lever	1014995V
01	Lever	1015000V
02	Symbol plug	1012105V
03	Covering cap	1012421V
04	Tightening nut, M34x1.5	1012133V
05	Cartridge, 3.0	1014428V
06	Aerator, M24x1, 6 l/min	59913727
07	Bottom seal	59914591
08	Fixing screw, M8x1, L=130	59914474
09	Fixing set	59914475