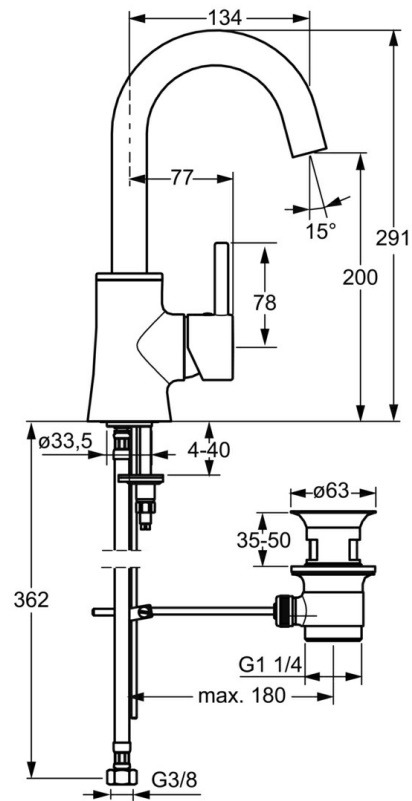


EAN: 4015474253841
static.hansa.com/52542277



- Washbasin
- Single-lever, side operated
- Deck mounted
- Chrome
- Swivel spout
- Standard aerator
- Hot/Cold symbols, Pin shape, Single operating lever/handle
- Pop-up waste with draw-rod
- Flexible inlet pipes



Technical data

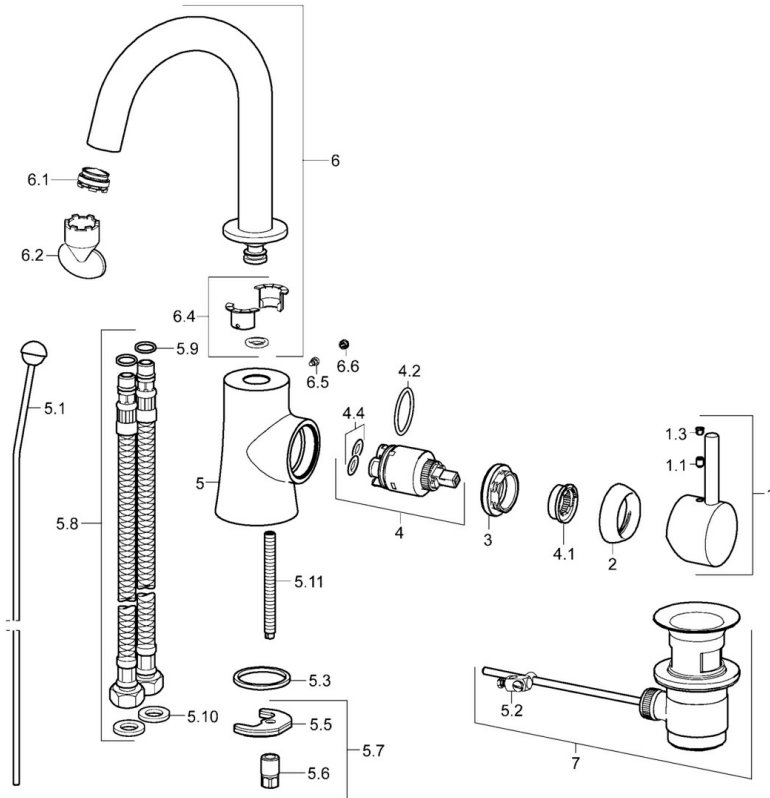
Technical properties

| | |
|------------------------------|-------------------|
| DN-size (nominal dimension) | DN15 |
| Hot water supply | max. +70°C |
| Working pressure | 0.5-10 bar |
| Connection size | G3/8 |
| Projection | 134 mm |
| Backflow prevention (EN1717) | AA |
| Material | Brass |

Regulations

| | |
|-------------|---------------|
| EN standard | EN 817 |
|-------------|---------------|

Spare parts



SP52542277

| | Name | Code |
|------|-----------------------------------|----------|
| 1 | Lever | 59913842 |
| 1.1 | Screw, M5x8, SW2.5 | 59904755 |
| 1.3 | Symbol plug Grey | 59912112 |
| 2 | Covering cap, 33x3 mm | 59912504 |
| 3 | Tightening nut, M40x1 | 1003409V |
| 4 | Cartridge, 3.5 Eco | 59912324 |
| 4 | Cartridge, 3.5 Classic | 59913075 |
| 4.1 | Temperature adjustment limiter | 59912325 |
| 4.2 | O-ring, d 28.24x2.62 Discontinued | 59912590 |
| 4.4 | O-ring, d 10.10x1.60 Discontinued | 59905072 |
| 5.1 | Pop-up operating rod | 59912505 |
| 5.2 | Swivel joint | 59904624 |
| 5.3 | Gasket, 43x37x3 | 59912506 |
| 5.5 | Fixing plate | 59904765 |
| 5.6 | Screw, M8x1, SW13 | 59904766 |
| 5.7 | Fixing set | 59912113 |
| 5.8 | Flexible pipe, L=500, G3/8-M10x1 | 59911767 |
| 5.9 | O-ring, d 7.65x1.78 | 59902337 |
| 5.10 | Gasket, 9.5x14.4x2 | 59912551 |
| 5.11 | Fixing screw, M8x1, L=140 | 59912474 |
| 6 | Spout Discontinued | 59913301 |
| 6.1 | Aerator, M24x1 STD HC | 59913741 |
| 6.2 | Key for aerator, M24x1 | 59913134 |
| 6.4 | Sealing kit | 59911884 |
| 6.5 | Screw, M4x7 | 59902075 |
| 6.6 | Cover plug | 59911840 |
| 7 | Pop-up waste | 59904620 |