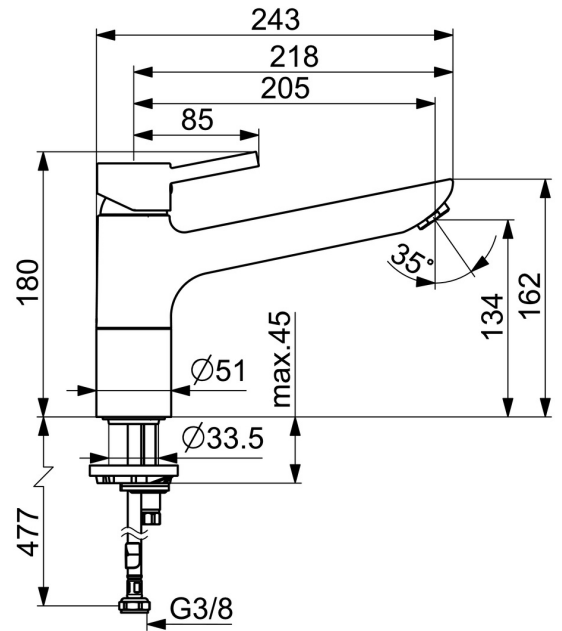
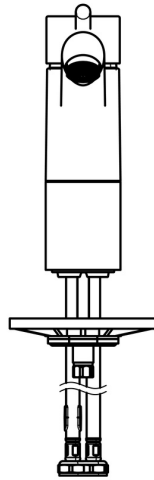
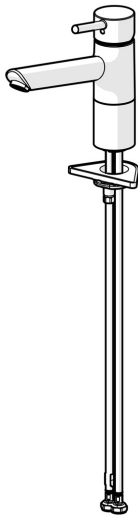


EAN: 4015474261174
static.hansa.com/52482277



- Kitchen
- Single-lever
- Deck mounted
- Chrome
- Swivel spout
- Standard aerator
- Hot/Cold symbols, Pin shape, Single operating lever/handle
- Limitation option for maximum temperature and flow-rate, Adjustable hot water stop (included, retrofittable)
- ϕ 35 mm ceramic cartridge for flow and temperature control
- Flexible inlet pipes
- Inner body made of DZR brass, Rapid installation system



Technical data

Flow properties

Flow-rate at 3 bar **12.0 l/min**

Technical properties

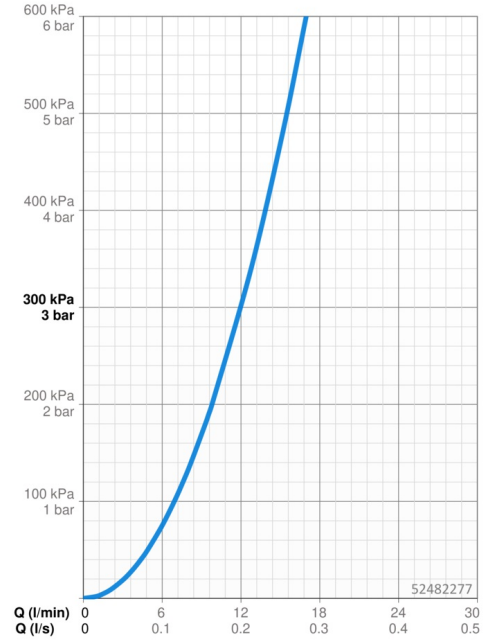
DN-size (nominal dimension) **DN15**
 Hot water supply **max. +70°C**
 Working pressure **0.5-10 bar**
 Connection size **G3/8**
 Projection **205 mm**
 Backflow prevention (EN1717) **AA**
 Material **Brass**

Regulations

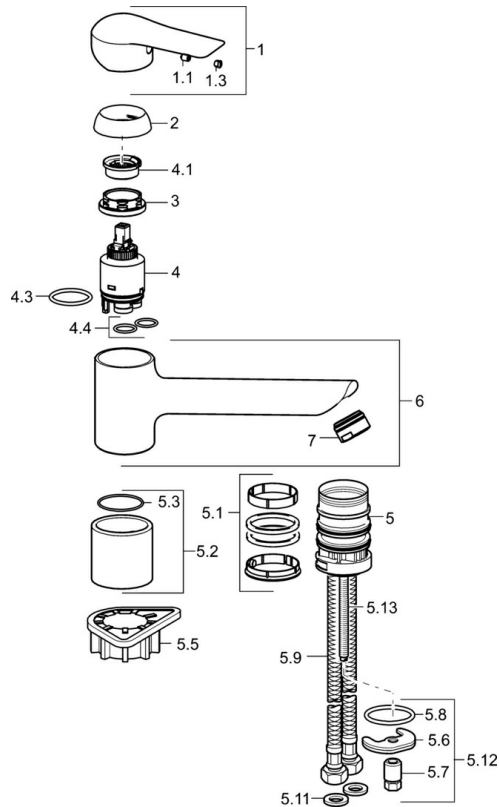
EN standard **EN 817**
 Noise class **I (ISO 3822)**

Approvals and Declarations

KIWA **K6116/08**
 Declaration of conformity **DoC**

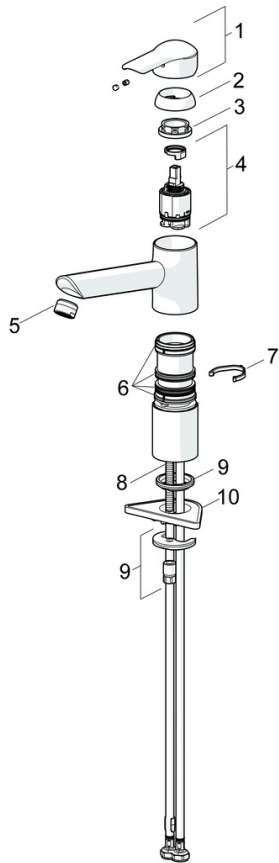


Spare parts



SP52482273

	Name	Code
1	Lever	59913903
1	Lever	59914629
1.1	Screw, M5x8, SW2.5	59904755
1.3	Symbol plug Grey	59912112
2	Covering cap, 33x3 mm	59912504
3	Tightening nut, M37x1, AF30 Discontinued	59912111
4	Cartridge, 3.5 Eco	59912324
4	Cartridge, 3.5 Classic	59913075
4.1	Temperature adjustment limiter	59912325
4.3	O-ring, d 28.24x2.62 Discontinued	59912590
4.4	O-ring, d 10.10x1.60 Discontinued	59905072
5.1	Sealing kit	1001264V
5.1	Sealing kit Discontinued	59913968
5.2	Raising socket Discontinued	59913980
5.3	O-ring, d 34x1.5	59913975
5.5	Supporting plate	59910008
5.6	Fixing plate	59904765
5.7	Screw, M8x1, SW13	59904766
5.8	O-ring, d 36.09x d 3.53	59913396
5.9	Flexible pipe, L=550, G3/8-M8x1	59913969
5.10	O-ring, 6x1.4	59913266
5.11	Gasket, 9.5x14.4x2	59912551
5.12	Fixing set	59910749
5.13	Fixing screw, M8x1, L=140	59912474
6	Spout Discontinued	59914061
7	Aerator, M24x1 STD HC A	59902366
N.I.	Key, SW30/34	59912108



SP52482273(2020)

	Name	Code
01	Lever	59913903
01	Lever	59914629
02	Covering cap, 33x3 mm	59912504
03	Tightening nut, M37x1, SW30	1005680V
04	Cartridge, 3.5 Classic	59913075
05	Aerator, M24x1 STD HC A	59902366
06	Sealing kit	1001264V
07	Spout overturning stopper, 120°	59914489
08	Fixing screw, M8x1, L=140	59912474
09	Fixing set	59910749
10	Supporting plate	59910008