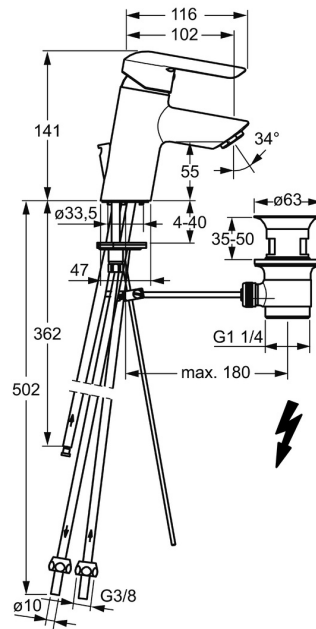
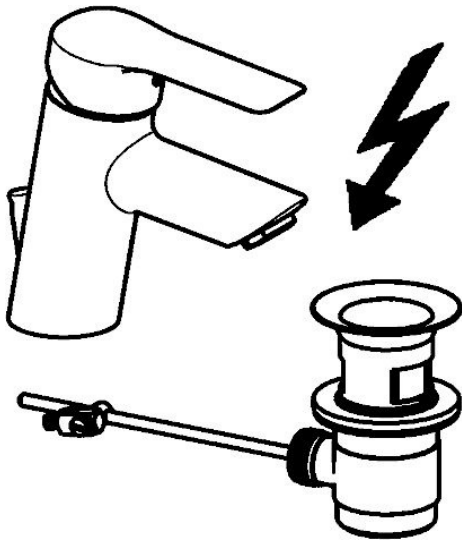


EAN: 4015474254565  
[static.hansa.com/52461173](http://static.hansa.com/52461173)



- Washbasin
- Single-lever, Low pressure
- Deck mounted
- Chrome
- Fixed spout
- Laminar stream, Standard aerator
- Hot/Cold symbols, Single operating lever/handle
- Pop-up waste with draw-rod
- Limitation option for maximum temperature and flow-rate, Adjustable hot water stop (included, retrofittable)
- $\varnothing$  35 mm ceramic cartridge for flow and temperature control
- Copper inlet pipes
- Inner body made of DZR brass, Rapid installation system



## Technical data

### Technical properties

|                              |                                       |
|------------------------------|---------------------------------------|
| DN-size (nominal dimension)  | <b>DN15</b>                           |
| Hot water supply             | <b>max. +80°C</b>                     |
| Working pressure             | <b>0.5-5 bar</b>                      |
| Connection size              | <b><math>\varnothing</math> 10 mm</b> |
| Projection                   | <b>102 mm</b>                         |
| Backflow prevention (EN1717) | <b>AA</b>                             |
| Material                     | <b>Brass</b>                          |

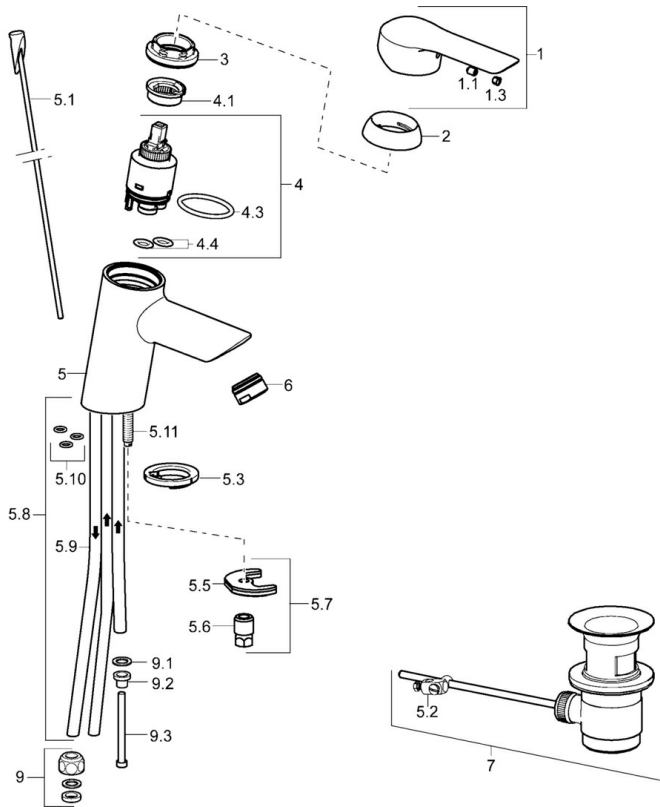
### Regulations

|             |               |
|-------------|---------------|
| EN standard | <b>EN 817</b> |
|-------------|---------------|

### Approvals and Declarations

|                           |            |
|---------------------------|------------|
| Declaration of conformity | <b>DoC</b> |
|---------------------------|------------|

## Spare parts



### SP52461173

|      | Name                              | Code     |
|------|-----------------------------------|----------|
| 1    | Lever                             | 59914629 |
| 1.1  | Screw, M5x8, SW2.5                | 59904755 |
| 1.3  | Symbol plug Grey                  | 59912112 |
| 2    | Covering cap, 33x3 mm             | 59912504 |
| 3    | Tightening nut, M40x1             | 1003409V |
| 4    | Cartridge, 3.5 Eco                | 59912324 |
| 4    | Cartridge, 3.5 Classic            | 59913075 |
| 4.1  | Temperature adjustment limiter    | 59912325 |
| 4.3  | O-ring, d 28.24x2.62 Discontinued | 59912590 |
| 4.4  | O-ring, d 10.10x1.60 Discontinued | 59905072 |
| 5.1  | Pop-up operating rod              | 59913587 |
| 5.2  | Swivel joint                      | 59904624 |
| 5.3  | Bottom seal                       | 59914591 |
| 5.5  | Fixing plate                      | 59904765 |
| 5.6  | Screw, M8x1, SW13                 | 59904766 |
| 5.7  | Fixing set                        | 59912113 |
| 5.8  | Pipe Discontinued                 | 59913398 |
| 5.9  | Pipe, M8x1, L=560                 | 59912806 |
| 5.10 | O-ring, 6x1.4                     | 59913266 |
| 5.11 | Fixing screw, M8x1, L=140         | 59912474 |
| 6    | Aerator, M24x1 A, low pressure    | 59902692 |
| 7    | Pop-up waste                      | 59904620 |
| 7    | Pop-up waste, (2019-)             | 59914764 |
| 9    | Fitting nut                       | 59904969 |
| 9.1  | Sealing kit, 14.9x8.5x1           | 59902352 |
| 9.2  | Sealing kit, 10x8                 | 59902272 |
| 9.3  | Hose                              | 59902151 |
| N.I. | Key, SW30/34                      | 59912108 |