

EAN: 4057304017322
static.hansa.com/52442267



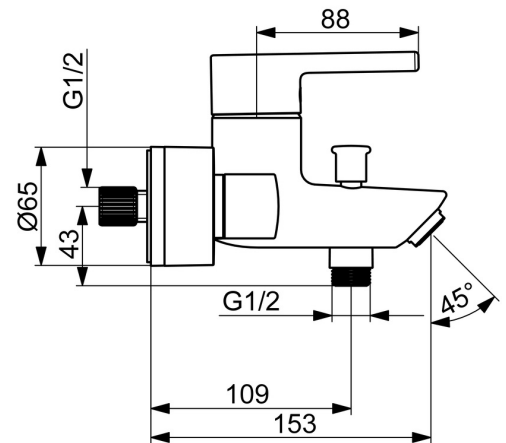
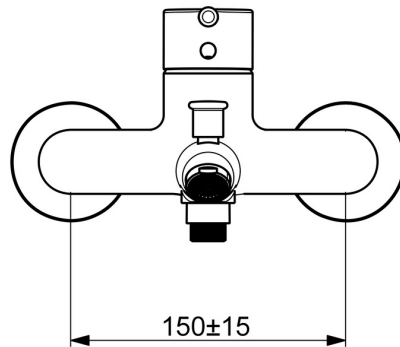
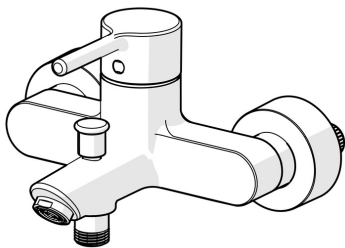
The HANSAVANTIS is the perfect fit for any bathroom, with a proven expert quality you can rely on, no matter your specific needs. Durable and long-lasting in both design and service life, this faucet brings you joy and confidence for years to come. Functional considerations and a dedicated level of detail offer a new user experience.

Elegant designed Rosetta for good installation coverage

High quality
 Sleek design
 Made in Europe

Shower and bath faucet with maximum comfort

- Bath tub & Shower
- Single-lever
- Wall mounted
- Chrome
- Fixed spout
- Standard aerator
- Single operating lever/handle, Pin shape, Hot/Cold symbols
- Pull operated diverter, Automatic reset
- Limitation option for maximum temperature and flow-rate, Adjustable hot water stop (included, retrofittable)
- ϕ 40 mm ceramic cartridge for flow and temperature control
- Eccentric coupling(s), Cover plate(s)
- Inner body made of DZR brass
- protected against back-flow in domestic use (according to DIN EN 1717)



Technical data

Flow properties

Flow-rate at 3 bar **21.0 / 15.0 l/min**

Technical properties

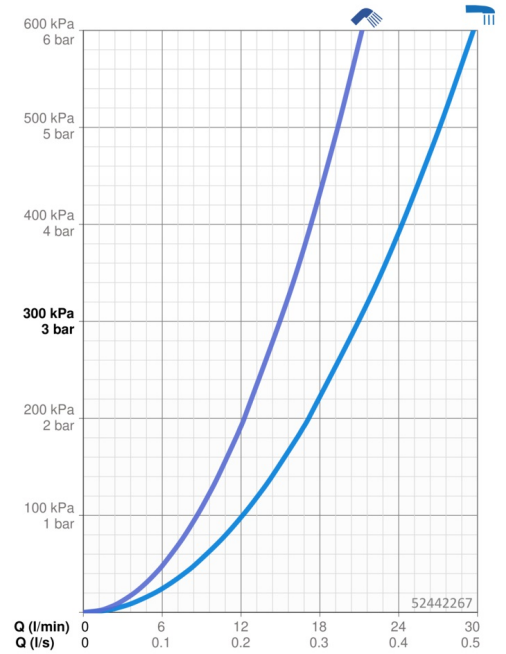
Hot water supply **max. +80°C**
 Working pressure **0.5-10 bar**
 Connection size **G3/4**
 Installation width **150 ± 15 mm**
 Projection **154 mm**
 Backflow prevention (EN1717) **EB**
 Material **Brass**

Regulations

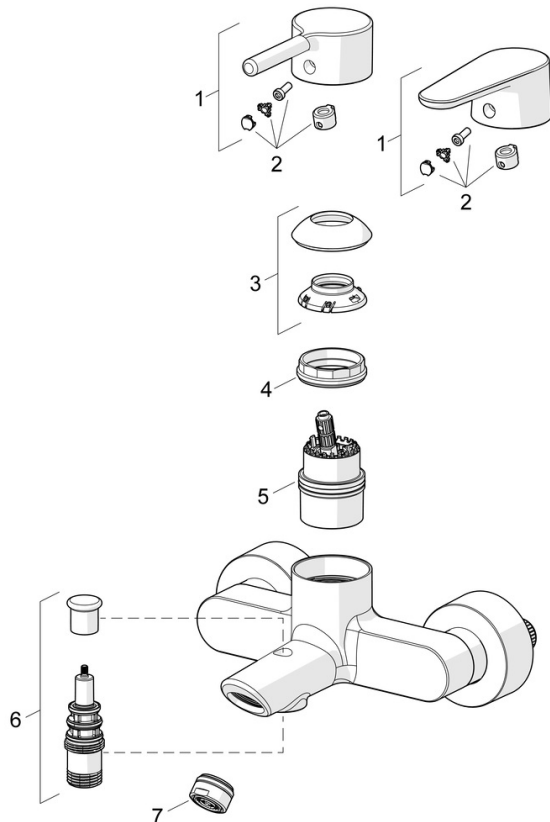
EN standard **EN 817**
 Noise class **II (ISO 3822)**

Approvals and Declarations

Declaration of conformity **DoC**
 EPD **S-P-06397**



Spare parts



SP52442263

	Name	Code
01	Lever	1014994V
01	Lever	1014997V
02	Symbol plug	59914573
03	Covering cap	59914649
04	Tightening nut, M42x1.5, SW 38	59914128
05	Cartridge	59914665
06	Diverter	59912706
07	Aerator, M24x1 D	59911829
N.I.	Non-return valve	59905714