

EAN: 4057304020247
static.hansa.com/5242226733



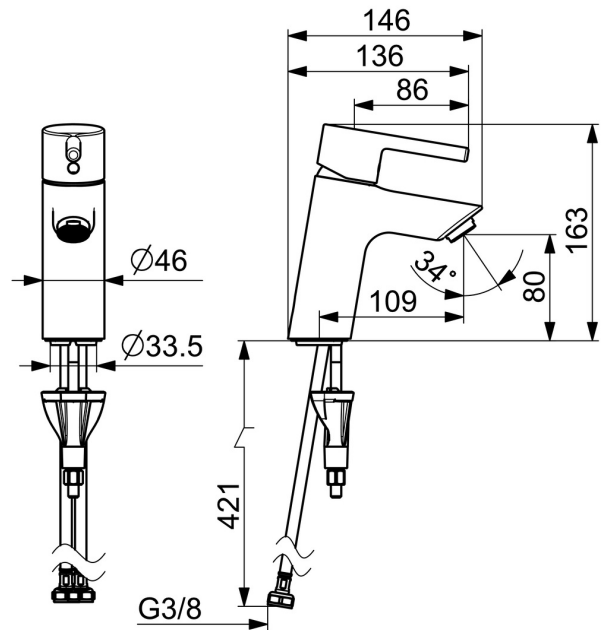
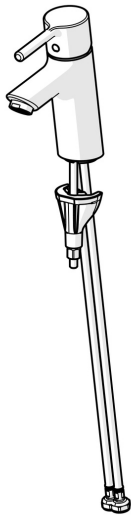
The HANSAVANTIS is the perfect fit for any bathroom, with a proven expert quality you can rely on, no matter your specific needs. Durable and long-lasting in both design and service life, this faucet brings you joy and confidence for years to come. Functional considerations and a dedicated level of detail offer a new user experience.

Easy to install with the 3S installation system.

High quality
 Sleek design
 Made in Europe

Washbasin faucet with maximum comfort

- Washbasin
- Single-lever
- Deck mounted
- Matt black
- Fixed spout
- PCA® - constant flow rate regardless of pressure variations
- Single operating lever/handle, Pin shape, Hot/Cold symbols
- Limitation option for maximum temperature and flow-rate
- ø 30 mm ceramic cartridge for flow and temperature control
- Flexible inlet pipes
- Inner body made of DZR brass, 3S-installation system for safe and simple mounting
- Without pop-up waste



Technical data

Flow properties

Flow-rate at 3 bar (with flow controller) **6.0 l/min**

Technical properties

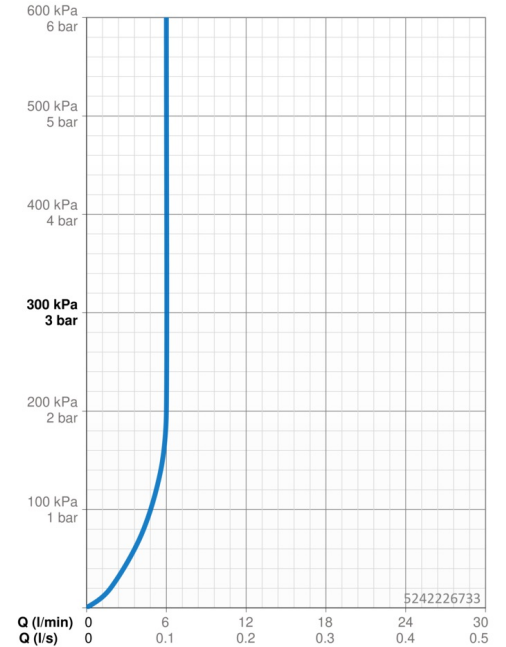
Hot water supply **max. +70°C**
 Working pressure **0.5-10 bar**
 Connection size **G3/8**
 Projection **109 mm**
 Backflow prevention (EN1717) **AA**
 Material **Brass**

Regulations

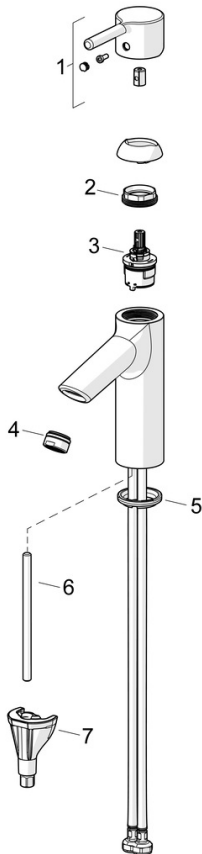
EN standard **EN 817**
 Noise class **I (ISO 3822)**

Approvals and Declarations

Declaration of conformity **DoC**
 EPD **S-P-06391**



Spare parts



SP5237226733

	Name	Code
01	Lever Matt black	1015000V-33
02	Tightening nut, M34x1.5	1012133V
03	Cartridge, 3.0	1014428V
04	Aerator, STD M24x1 HC PCA 6 l/min Matt black	1018459V-33
05	Bottom seal	59914591
06	Fixing screw, M8x1, L=130	59914474
07	Fixing set	59914475