

EAN: 4057304020384
static.hansa.com/5240226700006



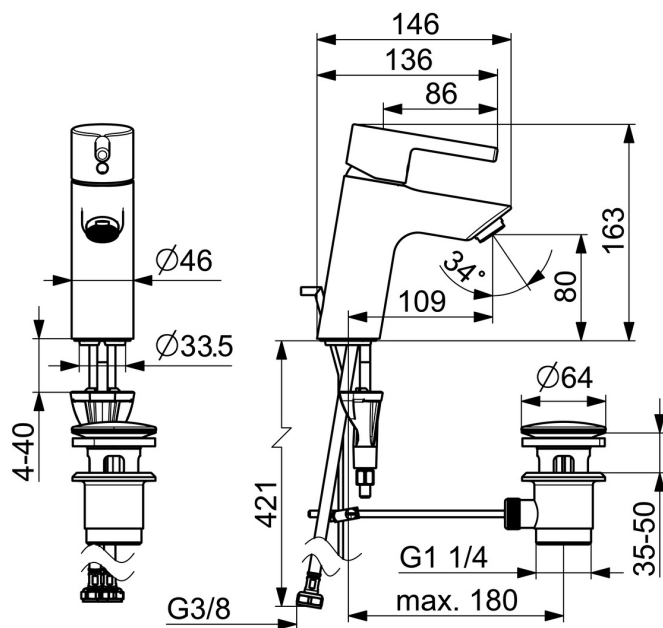
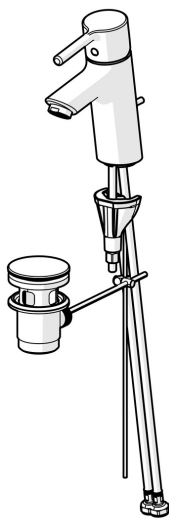
The HANSAVANTIS is the perfect fit for any bathroom, with a proven expert quality you can rely on, no matter your specific needs. Durable and long-lasting in both design and service life, this faucet brings you joy and confidence for years to come. Functional considerations and a dedicated level of detail offer a new user experience.

Easy to install with the 3S installation system.

High quality
 Sleek design
 ColdStart
 Pop up
 Made in Europe

Washbasin faucet with maximum comfort

- Washbasin
- Single-lever, Cold Start
- Deck mounted
- Chrome
- Fixed spout
- PCA® - constant flow rate regardless of pressure variations
- Single operating lever/handle, Pin shape, Hot/Cold symbols
- Pop-up waste with draw-rod
- Limitation option for maximum temperature and flow-rate, Energy saving variation (Cold Start) - cold water in the middle position
- ø 30 mm ceramic cartridge for flow and temperature control
- Flexible inlet pipes
- Inner body made of DZR brass, 3S-installation system for safe and simple mounting



Technical data

Flow properties

Eco-flow at 3 bar	4.5 l/min
Flow-rate at 3 bar (with flow controller)	6.0 l/min
Pressure loss with flow (0.1 l/s)	1.55 bar

Technical properties

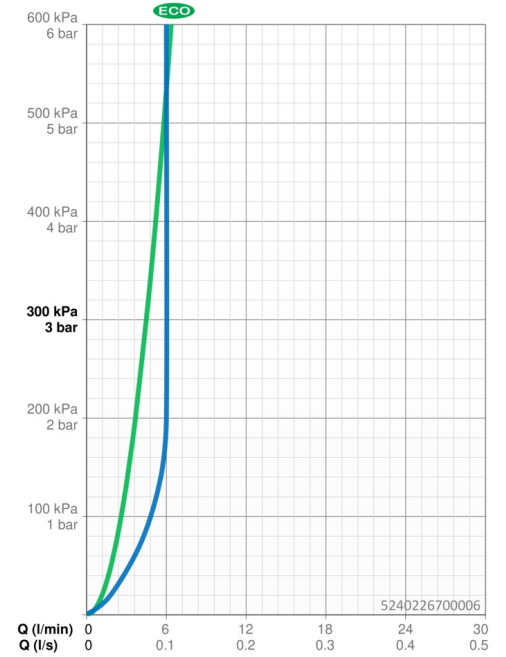
Hot water supply	max. +90°C
Working pressure	0.5-10 bar
Connection size	G3/8
Projection	114 mm
Backflow prevention (EN1717)	AA
Material	Brass

Regulations

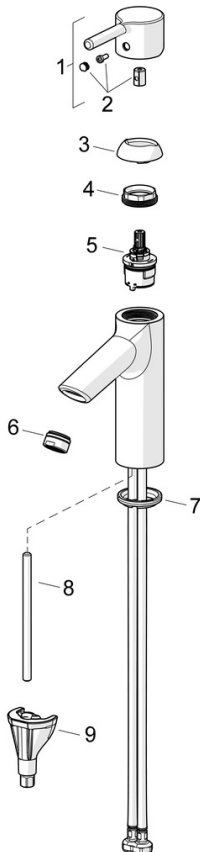
EN standard	EN 817
Noise class	I (ISO 3822)

Approvals and Declarations

Declaration of conformity	DoC
---------------------------	------------



Spare parts



SP5240226700006

	Name	Code
01	Lever	1002143V
02	Symbol plug	1012105V
03	Covering cap	1012421V
04	Tightening nut, M34x1.5	1012133V
05	Cartridge, 3.0 cold start	1014430V
06	Aerator, M24x1, 6 l/min	59913727
07	Bottom seal	59914591
08	Fixing screw, M8x1, L=130	59914474
09	Fixing set	59914475