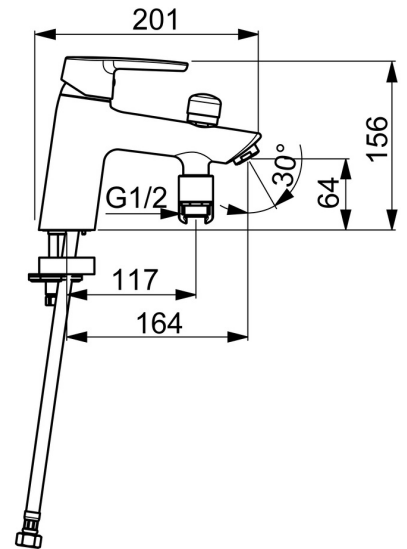
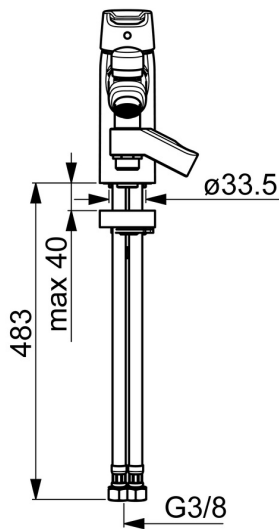
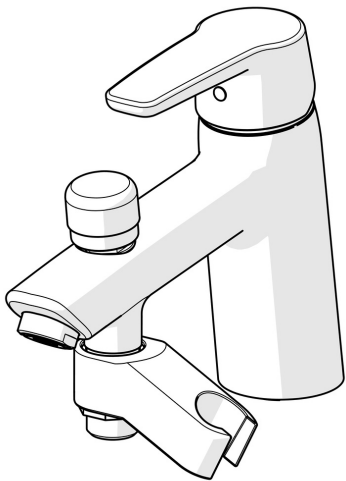


EAN: 4057304002953
static.hansa.com/52392293



- Bath tub & Shower
- Single-lever
- Rim mounted
- Chrome
- Fixed spout
- Standard aerator
- Hot/Cold symbols, Single operating lever/handle
- Pull operated diverter, Automatic reset
- Shower holder
- Limitation option for maximum temperature and flow-rate, Adjustable hot water stop (included, retrofittable)
- \varnothing 35 mm ceramic eco cartridge for flow and temperature control
- Flexible inlet pipes
- Inner body made of DZR brass, Waterways without nickel coating



Technical data

Flow properties

Flow-rate at 3 bar **20.4 / 19.2 l/min**

Technical properties

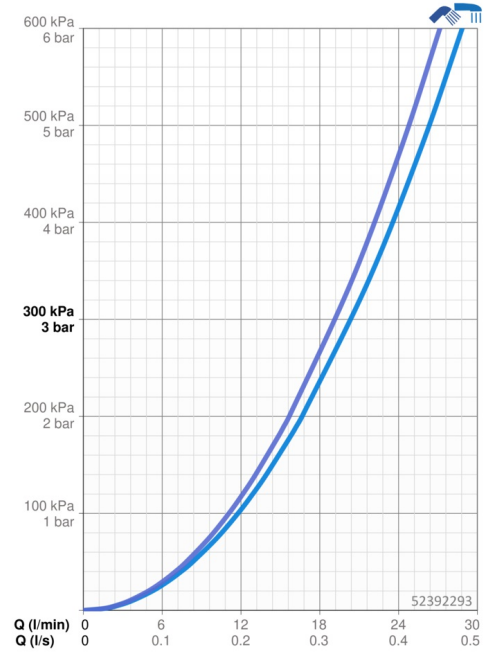
DN-size (nominal dimension) **DN15**
 Hot water supply **max. +70°C**
 Working pressure **0.5-10 bar**
 Connection size **G3/8**
 Projection **164 mm**
 Backflow prevention (EN1717) **EB**
 Material **Brass**

Regulations

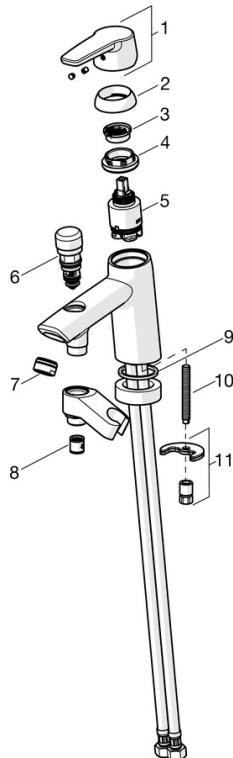
EN standard **EN 817**
 Noise class **II (ISO 3822)**

Approvals and Declarations

Declaration of conformity **DoC**



Spare parts



SP52392293

	Name	Code
01	Lever	59914417
02	Covering cap, 33x3 mm	59912504
03	Temperature adjustment limiter	59912325
04	Tightening nut, M40x1	1003409V
05	Cartridge, 3.5 Classic	59913075
06	Diverter	59912656
07	Aerator, M24x1 D	59911829
08	Non-return valve	59905714
09	Gasket, 43x37x3	59912506
10	Fixing screw, M8x1, L=140	59912474
11	Fixing set	59910749