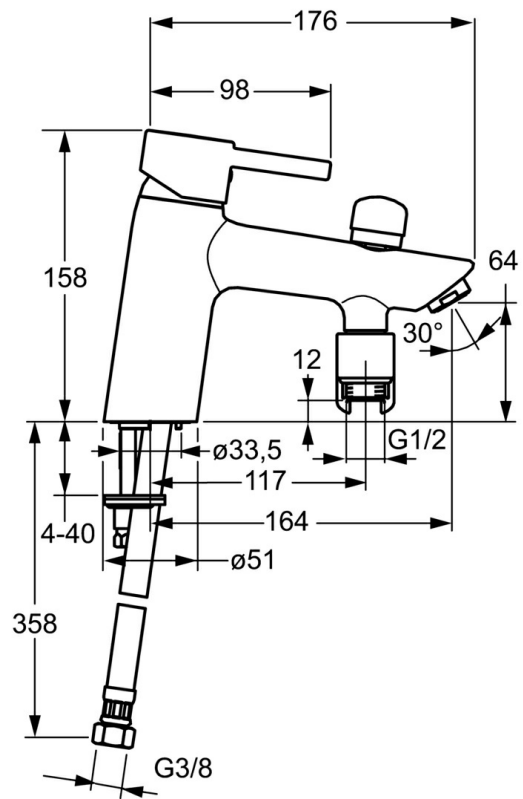
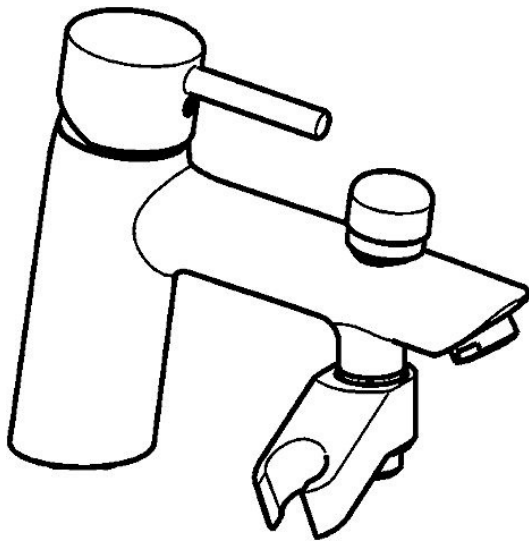


EAN: 4015474253971
static.hansa.com/52392277



- Bath tub & Shower
 - Single-lever
 - Rim mounted
 - Chrome
 - Standard aerator
- Pin shape, Single operating lever/handle, Hot/Cold symbols
 - Automatic reset
 - Limitation option for maximum temperature and flow-rate, Adjustable hot water stop (included, retrofittable)
 - Non-return valve(s), \varnothing 35 mm ceramic cartridge for flow and temperature control
 - Inner body made of DZR brass, Waterways without nickel coating



Technical data

Flow properties

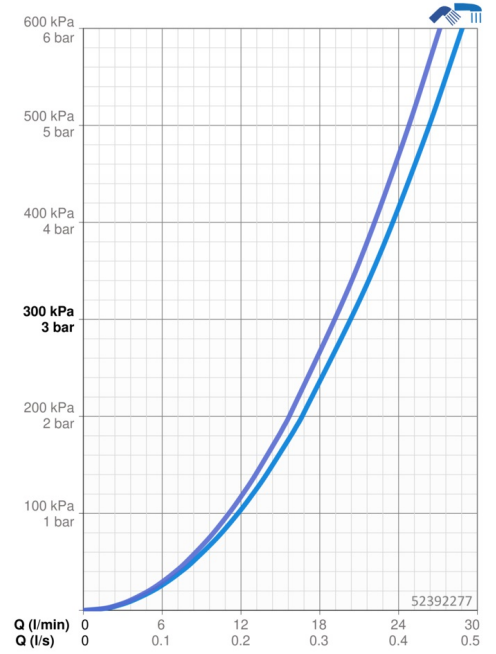
Flow-rate at 3 bar **20.4 / 19.2 l/min**

Technical properties

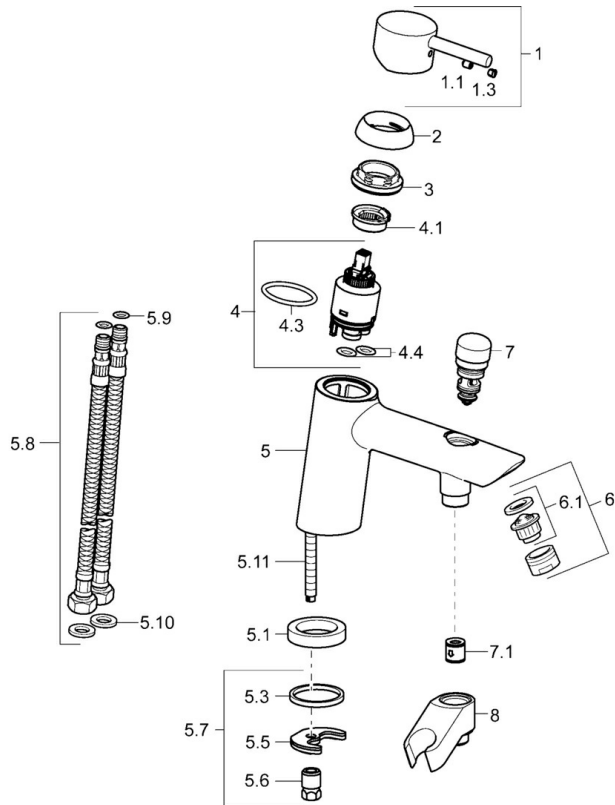
DN-size (nominal dimension) **DN15**
 Hot water supply **max. +80°C**
 Working pressure **0.5-10 bar**
 Projection **164 mm**
 Backflow prevention (EN1717) **EB**
 Material **Brass**

Regulations

EN standard **EN 817**



Spare parts



SP52392277

| | Name | Code |
|------|-----------------------------------|----------|
| 1 | Lever | 59913840 |
| 1 | Lever | 59914417 |
| 1.1 | Screw, M5x8, SW2.5 | 59904755 |
| 1.3 | Symbol plug Grey | 59912112 |
| 2 | Covering cap, 33x3 mm | 59912504 |
| 2.1 | Tightening nut, M40x1 | 1003409V |
| 4 | Cartridge, 3.5 Eco | 59912324 |
| 4 | Cartridge, 3.5 Classic | 59913075 |
| 4.1 | Temperature adjustment limiter | 59912325 |
| 4.3 | O-ring, d 28.24x2.62 Discontinued | 59912590 |
| 4.4 | O-ring, d 10.10x1.60 Discontinued | 59905072 |
| 5.1 | Spacer ring Discontinued | 59906787 |
| 5.3 | Gasket, 43x37x3 | 59912506 |
| 5.5 | Fixing plate | 59904765 |
| 5.6 | Screw, M8x1, SW13 | 59904766 |
| 5.7 | Fixing set | 59912113 |
| 5.8 | Flexible pipe, L=430, G3/8-M10x1 | 59912515 |
| 5.9 | O-ring, d 7.65x1.78 | 59902337 |
| 5.10 | Gasket, 9.5x14.4x2 | 59912551 |
| 5.11 | Fixing screw, M8x1, L=140 | 59912474 |
| 6 | Aerator, M24x1 D | 59911829 |
| 7 | Diverter | 59912656 |
| 7.1 | Non-return valve | 59905714 |
| 8 | Holder Discontinued | 59912880 |
| N.I. | Key, SW30/34 | 59912108 |