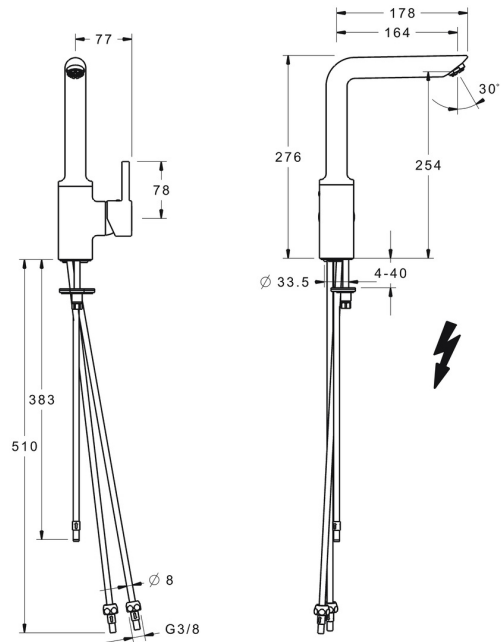
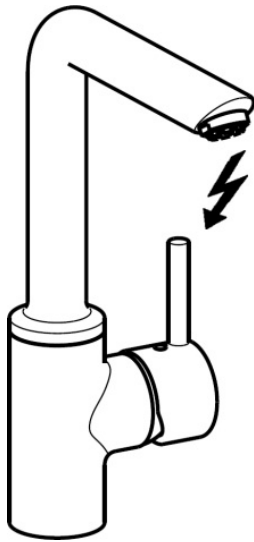


EAN: 4015474275317  
[static.hansa.com/52221107](http://static.hansa.com/52221107)



- Kitchen
- Single-lever, side operated, Low pressure
- Deck mounted
- Chrome
- Swivel spout, Swivel range limiting option
- Laminar stream, Standard aerator
- Hot/Cold symbols, Pin shape, Single operating lever/handle
- Limitation option for maximum temperature and flow-rate, Adjustable hot water stop (included, retrofittable)
- $\varnothing$  35 mm ceramic cartridge for flow and temperature control
- Copper inlet pipes
- Inner body made of DZR brass, Rapid installation system



## Technical data

### Technical properties

DN-size (nominal dimension)	<b>DN15</b>
Hot water supply	<b>max. +80°C</b>
Working pressure	<b>0.5-5 bar</b>
Connection size	<b>G3/8</b>
Diameter	<b>8 mm</b>
Projection	<b>164 mm</b>
Backflow prevention (EN1717)	<b>AA</b>
Material	<b>Brass</b>

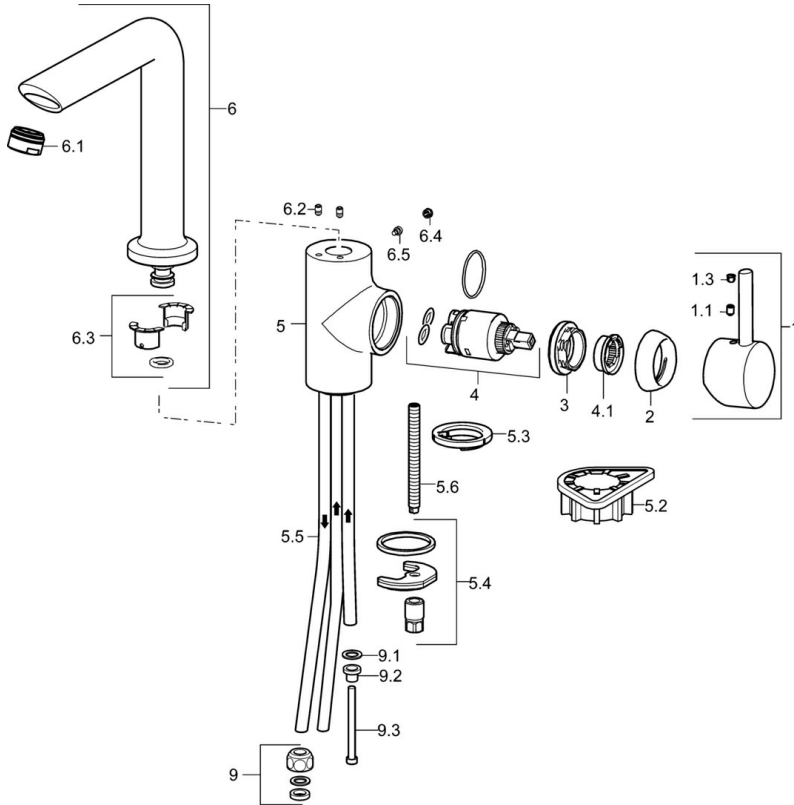
### Regulations

EN standard	<b>EN 817</b>
-------------	---------------

### Approvals and Declarations

Declaration of conformity	<b>DoC</b>
---------------------------	------------

## Spare parts



### SP52221107

	Name	Code
1	Lever	59913842
1.1	Screw, M5x8, SW2.5	59904755
1.3	Symbol plug Grey	59912112
2	Covering cap, 33x3 mm	59912504
3	Tightening nut, M40x1	1003409V
4	Cartridge, 3.5 Classic	59913075
4.1	Temperature adjustment limiter	59912325
5.2	Supporting plate	59910008
5.3	Bottom seal	59914591
5.4	Fixing set	59910749
5.5	Pipe, M8x1, L=560	59912806
5.6	Fixing screw, M8x1, L=140	59912474
6	Spout Discontinued	59914203
6.1	Aerator, M24x1 A, low pressure	59902692
6.2	Fixing screw, M4x8	59913989
6.3	Sealing kit	59911884
6.4	Cover plug	59911840
6.5	Screw, M4x7	59902075
9	Fitting nut	59904969
9.1	Sealing kit, 14.9x8.5x1	59902352
9.2	Sealing kit, 10x8	59902272
9.3	Hose	59902151