

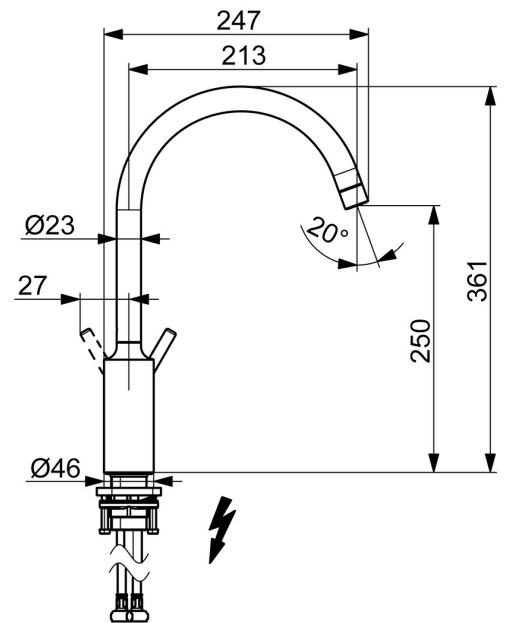
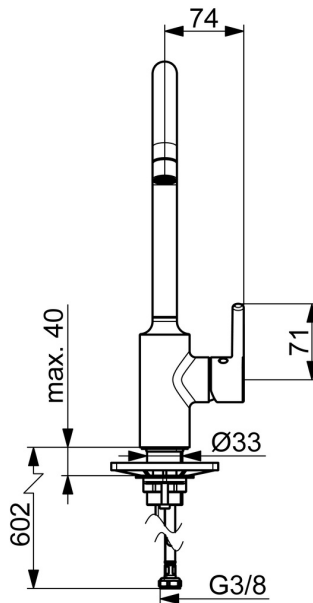
EAN: 4057304019845
static.hansa.com/52211167



The HANSAVANTIS is the perfect fit for any kitchen, with a proven expert quality you can rely on, no matter your specific needs. Durable and long-lasting in both design and service life, this faucet brings you joy and confidence for years to come. Functional considerations and a dedicated level of detail offer a new user experience.

Single-lever, side-operated design for easy use. The pin-shaped lever includes hot/cold symbols for quick temperature adjustments. The swivel spout and laminar stream aerator provide a smooth flow of water. The ϕ 30 mm ceramic cartridge ensures precise flow and temperature control, while the DZR brass inner body adds durability. With a maximum hot water supply of +70°C and a limitation option for temperature and flow-rate, this faucet is perfect for any kitchen.

- Kitchen
- Single-lever, side operated, Low pressure
- Deck mounted
- Chrome
- Swivel spout
- Standard aerator, Laminar stream
- Single operating lever/handle, Pin shape, Hot/Cold symbols
- Limitation option for maximum temperature and flow-rate
- ϕ 30 mm ceramic cartridge for flow and temperature control
- Flexible inlet pipes
- Inner body made of DZR brass



Technical data

Technical properties

Hot water supply	max. +70°C
Working pressure	0.5-10 bar
Connection size	G3/8
Projection	247 mm
Backflow prevention (EN1717)	AA
Material	Brass

Regulations

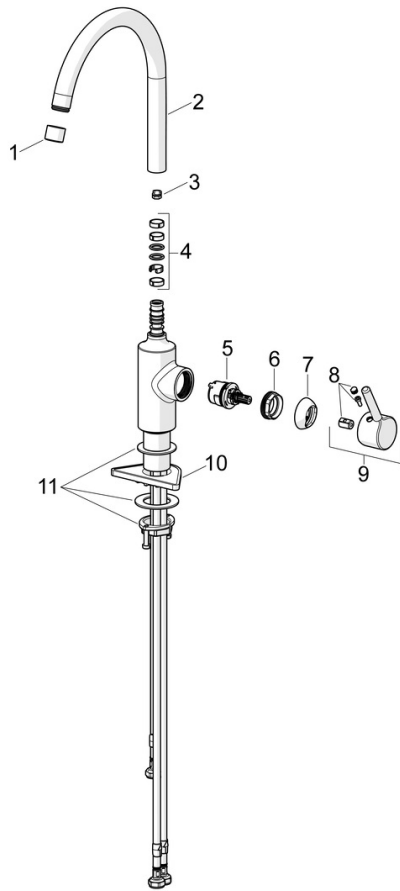
EN standard	EN 817
Noise class	I (ISO 3822)

Approvals and Declarations

Declaration of conformity	DoC
EPD	S-P-06396



Spare parts



SP5221167

	Name	Code
01	Aerator, STD M22x1 LP	1017374V
02	High spout, L=208 Discontinued	59914498
03	Spout overturning stopper, 60° / 0°	59914264
03	Spout overturning stopper, 120° Discontinued	59914429
04	Sealing kit for spout	59914431
05	Cartridge, 3.0	1014428V
06	Tightening nut, M34x1.5	1012133V
07	Covering cap	1012132V
08	Symbol plug	1012105V
09	Lever	1001749V
10	Supporting plate	59910008
11	Fixing set	59913371