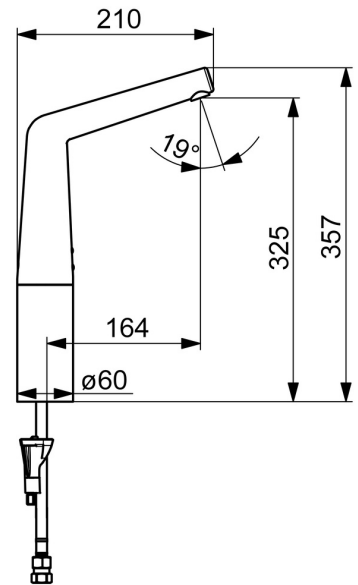
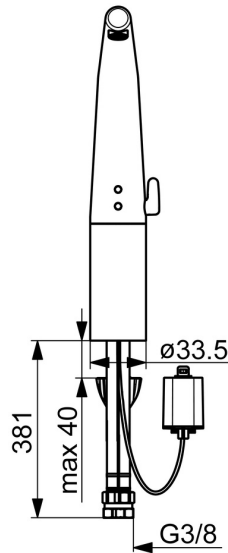
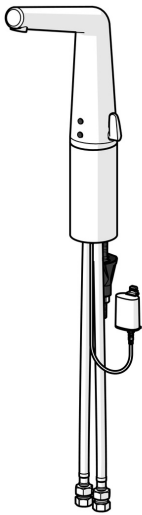


EAN: 4057304006616  
[static.hansa.com/51942201](https://static.hansa.com/51942201)



electronic basin faucet, DN 15

- Washbasin
- Touchless, Battery-operated, Bluetooth®
- Deck mounted
- Chrome
- Fixed spout
- Hidden aerator
- Temperature control handle
- Adjustable hot water stop (included, retrofittable)
- Mixing valve for manual temperature control, Non-return valve(s), Litter filter(s)
- Autofocus infrared sensor, Solenoid valve, Low battery indicator
- Flexible inlet pipes
- Inner body made of DZR brass, 3S-installation system for safe and simple mounting, Software settings adjustable via App
- Without pop-up waste, Without draw-rod opening



## Technical data

### Flow properties

Flow-rate at 3 bar (with flow controller)	<b>6.0 l/min</b>
Pressure loss with flow (0.1 l/s)	<b>2 bar</b>

### Technical properties

DN-size (nominal dimension)	<b>DN15</b>
Hot water supply	<b>max. +70°C</b>
Working pressure	<b>1-10 bar</b>
Connection size	<b>G3/8</b>
Projection	<b>164 mm</b>
Backflow prevention (EN1717)	<b>AA</b>
Material	<b>Brass</b>

### Software settings

Afterflow period	<b>3 s (1-20 s)</b>
Automatic flush	<b>off (off/1-120 h)</b>
Automatic flush period	<b>30 s (1-1800 s)</b>
Max. flow period	<b>2 min (1 - 1800 s)</b>

### Electronic properties

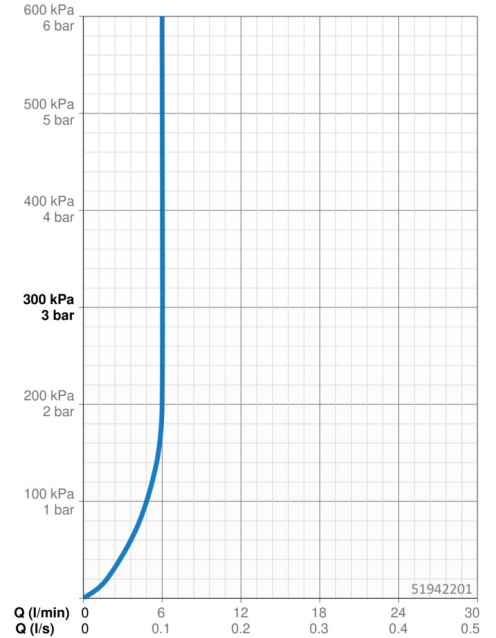
Battery	<b>Lithium 2CR5 6 V</b>
Bluetooth version	<b>4.x (D034445)</b>

### Regulations

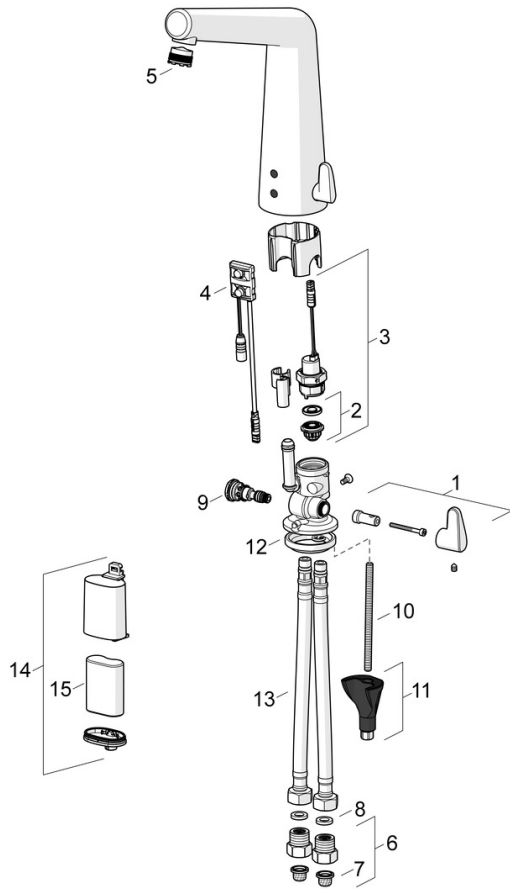
EU Directives	<b>C € Radio Equipment Directive 2014/53/EU , Low Voltage Directive 2014/35/EU , EMC Directive 2014/30/EU , RoHS Directive 2011/65/EU</b>
EN standard	<b>EN 15091, ETSI EN 301 489-1 V1.9.2 , ETSI EN 300 328 v2.2.2 , EN 61000-6-1:2007 , EN 61000-6-3:2007+A1:2011+AC:2012 , EN 60335-1:2012+A11+A13+A14+A15:2021, Part 19.11.4</b>
Protection class	<b>IP 55</b>

### Approvals and Declarations

DVGW	<b>CW-6514CR0161</b>
UN38.3	<b>UN38-3 Maxell 2CR5</b>
Declaration of conformity	<b>RED</b>



## Spare parts



### SP51942201

	Name	Code
01	Temperature control handle	59914568
02	Membrane for solenoid valve	1006500V
02	Membrane support ring Discontinued	59914090
03	Solenoid valve, 6 V	59914091
04	Sensor, 6/9/12 V, Bluetooth	59914567
05	Aerator and key, M18.5x1	59914592
06	One-way valve with litter screen	59914086
07	Litter filters	59914085
08	Gasket, 8x14.3x2	59914087
09	Temperature regulator	59914089
10	Fixing screw, M8x1, L=250 Discontinued	59914726
11	Fixing set	59914475
12	Bottom seal	59914591
13	Flexible pipe, L=500, G3/8-M10x1 Discontinued	59914594
14	Battery casing	59914154
15	Battery, 2CR5 6 V	59911670
N.I	Limiter	59914106