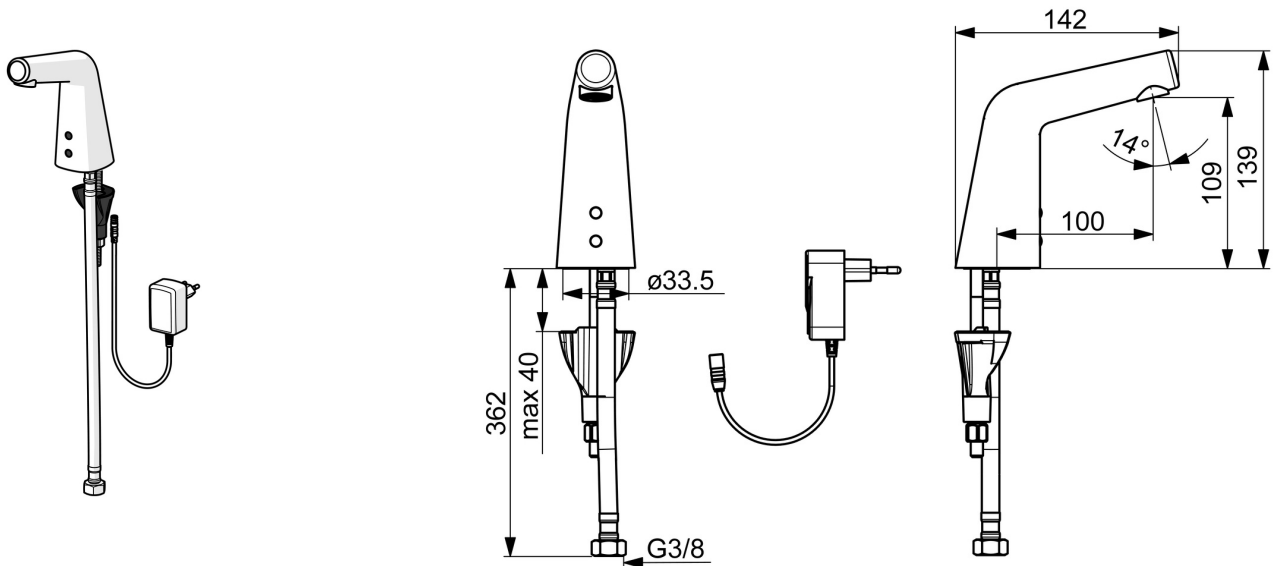


EAN: 4057304006579  
[static.hansa.com/51932211](https://static.hansa.com/51932211)



electronic basin faucet, DN 15

- Washbasin
- Touchless, Plug transformer, Bluetooth®
- Deck mounted
- Chrome
- Fixed spout
- Hidden aerator
- Litter filter(s), Non-return valve(s)
- Autofocus infrared sensor, Solenoid valve, Power supply
- Flexible inlet pipes, One inlet for cold or premixed water
- Inner body made of DZR brass, 3S-installation system for safe and simple mounting, Software settings adjustable via App
- Without pop-up waste, Without draw-rod opening



## Technical data

### Flow properties

Flow-rate at 3 bar (with flow controller)	<b>3.5 l/min</b>
Pressure loss with flow (0.1 l/s)	<b>2.1 bar</b>

### Technical properties

DN-size (nominal dimension)	<b>DN15</b>
Hot water supply	<b>max. +70°C</b>
Working pressure	<b>1-10 bar</b>
Connection size	<b>G3/8</b>
Projection	<b>100 mm</b>
Backflow prevention (EN1717)	<b>EB</b>
Material	<b>Brass</b>

### Software settings

Afterflow period	<b>3 s (1-20 s)</b>
Automatic flush	<b>off (off/1-120 h)</b>
Automatic flush period	<b>30 s (1-1800 s)</b>
Max. flow period	<b>2 min (1 - 1800 s)</b>

### Electronic properties

Electrical Connection	<b>230 / 9 V</b>
Bluetooth version	<b>4.x (D034445)</b>

### Regulations

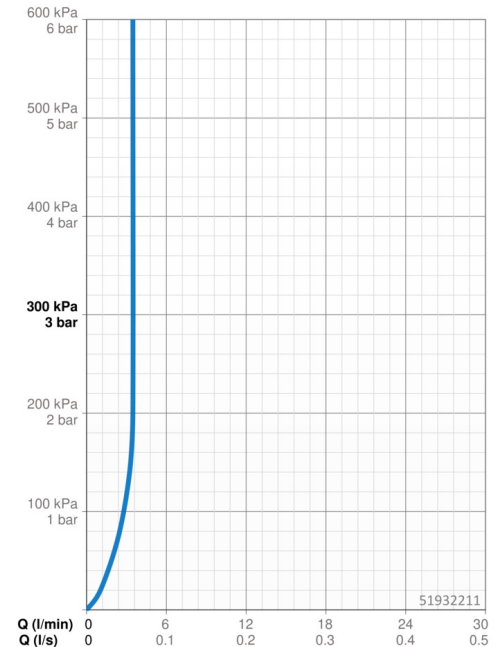
EU Directives	<b>C € Radio Equipment Directive 2014/53/EU , Low Voltage Directive 2014/35/EU , EMC Directive 2014/30/EU , RoHS Directive 2011/65/EU</b>
EN standard	<b>EN 15091, ETSI EN 301 489-1 V1.9.2 , ETSI EN 300 328 v2.2.2 , EN 61000-6-1:2007 , EN 61000-6-3:2007+A1:2011+AC:2012 , EN 60335-1:2012+A11+A13+A14+A14+A2+A15:2021, Part 19.11.4</b>
Protection class	<b>IP 55 / transformer IP 20</b>

### Approvals and Declarations

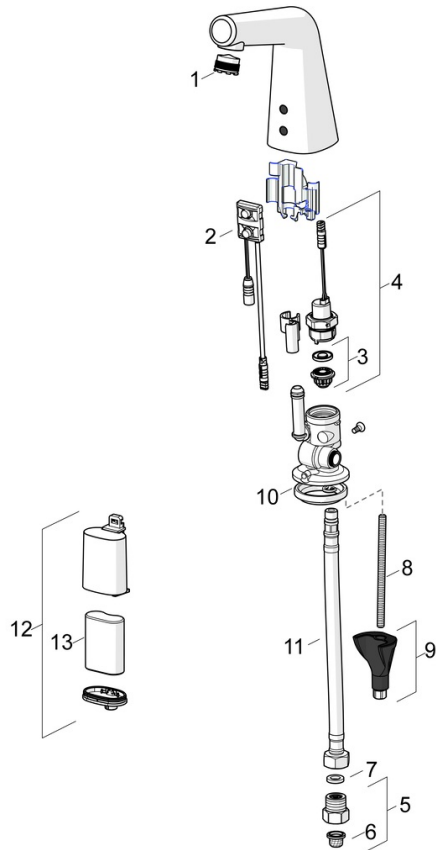
DVGW	<b>CW-6514CR0161</b>
Declaration of conformity	<b>RED</b>
EPD	<b>S-P-06394</b>

### Sustainability

EPD module A1 (kg CO2 eq.)	<b>6,38</b>
EPD module A2 (kg CO2 eq.)	<b>0,29</b>
EPD module A3 (kg CO2 eq.)	<b>0,34</b>
EPD module A1-A3 (kg CO2 eq.)	<b>7,01</b>
EPD module A4 (kg CO2 eq.)	<b>0,26</b>
EPD module B7 (kg CO2 eq.)	<b>249,40</b>
EPD module C2 (kg CO2 eq.)	<b>0,01</b>
EPD module C3 (kg CO2 eq.)	<b>0,01</b>
EPD module C4 (kg CO2 eq.)	<b>0,19</b>
EPD module D (kg CO2 eq.)	<b>-5,11</b>



## Spare parts



### SP51932201

	Name	Code
01	Aerator and key, M18.5x1, -104	1003508V
01	Aerator and key, M18.5x1 (5189228334)	59914590
02	Sensor, 6/9/12 V, Bluetooth	59914567
03	Membrane for solenoid valve	1006500V
03	Membrane support ring Discontinued	59914090
04	Solenoid valve, 6 V	59914091
05	One-way valve with litter screen	59914086
06	Litter filters	59914085
07	Gasket, 8x14.3x2	59914087
08	Fixing screw, M8x1, L=130	59914474
09	Fixing set	59914475
10	Bottom seal	59914591
11	Flexible pipe, L=375, G3/8-M10x1 (2pcs)	59914095
12	Battery casing	59914154
13	Battery, 2CR5 6 V	59911670