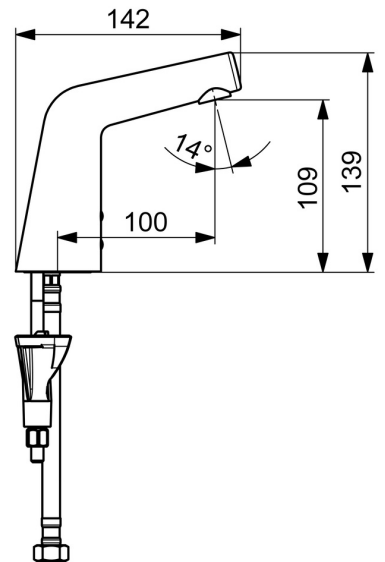
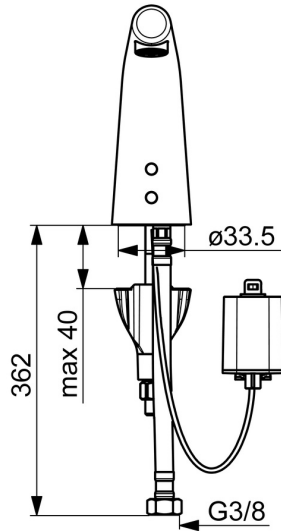
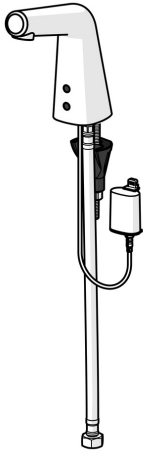


EAN: 4057304006548
static.hansa.com/51932201



electronic basin faucet, DN 15

- Washbasin
- Touchless, Battery-operated, Bluetooth®
- Deck mounted
- Chrome
- Fixed spout
- Hidden aerator
- Litter filter(s), Non-return valve(s)
- Autofocus infrared sensor, Solenoid valve, Low battery indicator
- Flexible inlet pipes, One inlet for cold or premixed water
- Inner body made of DZR brass, 3S-installation system for safe and simple mounting, Software settings adjustable via App
- Without pop-up waste, Without draw-rod opening



Technical data

Flow properties

Flow-rate at 3 bar (with flow controller)	3.5 l/min
Pressure loss with flow (0.1 l/s)	2.1 bar

Technical properties

DN-size (nominal dimension)	DN15
Hot water supply	max. +70°C
Working pressure	1-10 bar
Connection size	G3/8
Projection	100 mm
Backflow prevention (EN1717)	EB
Material	Brass

Software settings

Afterflow period	3 s (1-20 s)
Automatic flush	off (off/1-120 h)
Automatic flush period	30 s (1-1800 s)
Max. flow period	2 min (1 - 1800 s)

Electronic properties

Battery	Lithium 2CR5 6 V
Bluetooth version	4.x (D034445)

Regulations

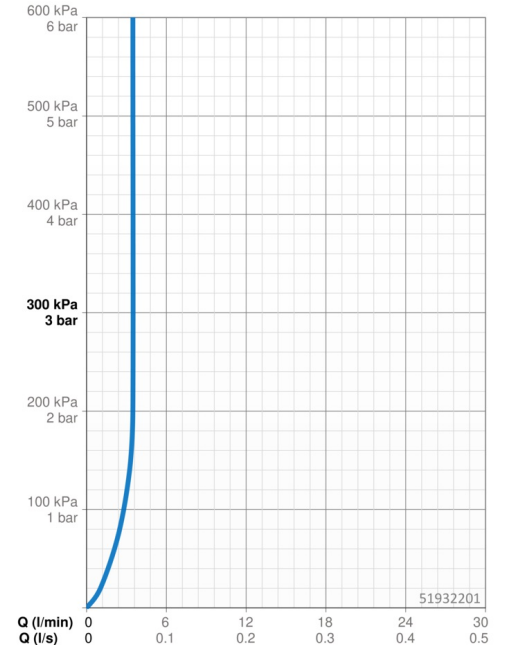
EU Directives	C € Radio Equipment Directive 2014/53/EU , Low Voltage Directive 2014/35/EU , EMC Directive 2014/30/EU , RoHS Directive 2011/65/EU
EN standard	EN 15091, ETSI EN 301 489-1 V1.9.2 , ETSI EN 300 328 v2.2.2 , EN 61000-6-1:2007 , EN 61000-6-3:2007+A1:2011+AC:2012 , EN 60335-1:2012+A11+A13+A14+A14+A2+A15:2021, Part 19.11.4
Protection class	IP 55

Approvals and Declarations

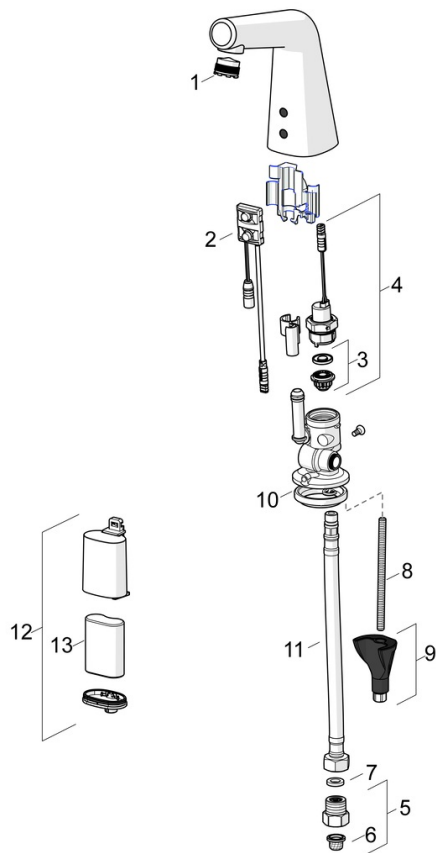
DVGW	CW-6514CR0161
UN38.3	UN38-3 Maxell 2CR5
Declaration of conformity	RED
EPD	S-P-06394

Sustainability

EPD module A1 (kg CO2 eq.)	6,74
EPD module A2 (kg CO2 eq.)	0,31
EPD module A3 (kg CO2 eq.)	0,36
EPD module A1-A3 (kg CO2 eq.)	7,40
EPD module A4 (kg CO2 eq.)	0,27
EPD module B7 (kg CO2 eq.)	249,40
EPD module C2 (kg CO2 eq.)	0,01
EPD module C3 (kg CO2 eq.)	0,02
EPD module C4 (kg CO2 eq.)	0,21
EPD module D (kg CO2 eq.)	-5,40



Spare parts



SP51932201

	Name	Code
01	Aerator and key, M18.5x1, -104	1003508V
01	Aerator and key, M18.5x1 (5189228334)	59914590
02	Sensor, 6/9/12 V, Bluetooth	59914567
03	Membrane for solenoid valve	1006500V
03	Membrane support ring Discontinued	59914090
04	Solenoid valve, 6 V	59914091
05	One-way valve with litter screen	59914086
06	Litter filters	59914085
07	Gasket, 8x14.3x2	59914087
08	Fixing screw, M8x1, L=130	59914474
09	Fixing set	59914475
10	Bottom seal	59914591
11	Flexible pipe, L=375, G3/8-M10x1 (2pcs)	59914095
12	Battery casing	59914154
13	Battery, 2CR5 6 V	59911670