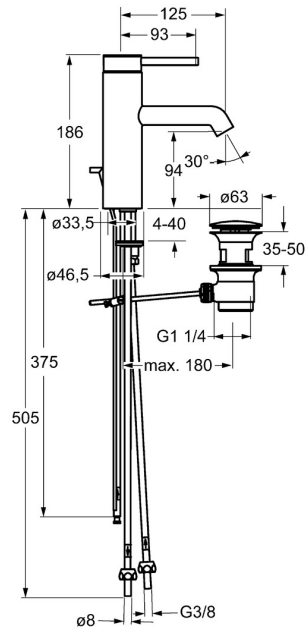
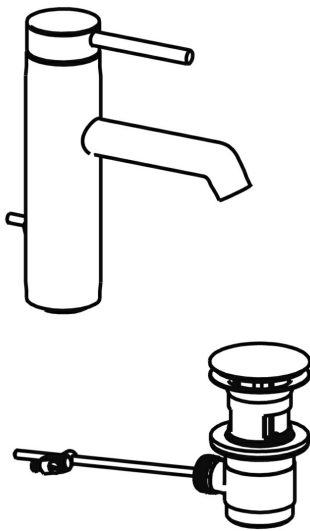


EAN: 4015474188143
static.hansa.com/51911173



- Washbasin
- Single-lever, Low pressure
- Deck mounted
- Chrome
- Fixed spout
- Hidden aerator, Standard aerator
- Pin shape
- Pop-up waste with draw-rod
- Limitation option for maximum temperature and flow-rate, Adjustable hot water stop (included, retrofittable)
- \varnothing 35 mm ceramic cartridge for flow and temperature control
- Copper inlet pipes
- Inner body made of DZR brass, Rapid installation system

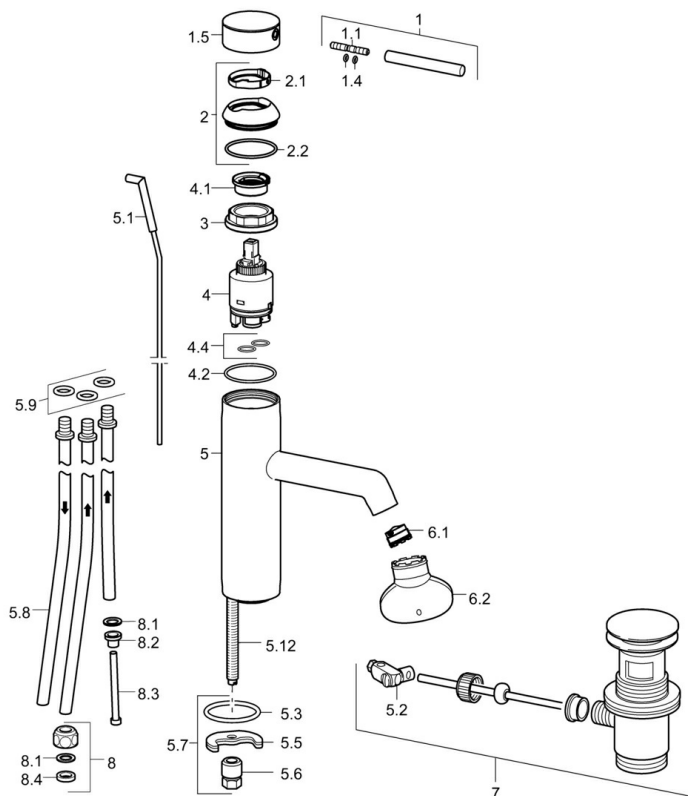


Technical data

Technical properties

DN-size (nominal dimension)	DN15
Hot water supply	max. +80°C
Working pressure	0.5-5 bar
Projection	125 mm
Backflow prevention (EN1717)	AA
Material	Brass

Spare parts



SP51911173

	Name	Code
1	Lever, 70 mm	59913331
1.1	Screw, M5x35	59913299
1.4	O-ring, d 3x1.5	59913100
1.5	Cap	59913332
1.5	Cap White Discontinued	59913334
1.5	Cap Black Discontinued	59913333
2	Covering cap	59913364
2.1	Bearing ring	59913363
2.2	O-ring, d 38x2	59913212
3	Screw, M42x1, SW34	59913365
4	Cartridge, 3.5 Eco	59912324
4	Cartridge, 3.5 Classic	59913075
4.1	Temperature adjustment limiter	59912325
4.2	O-ring, d 28.24x2.62 Discontinued	59912590
4.4	O-ring, d 10.10x1.60 Discontinued	59905072
5.1	Lever for pop-up waste	59913362
5.2	Swivel joint	59904624
5.3	Gasket, 43x37x3	59912506
5.5	Fixing plate	59904765
5.6	Screw, M8x1, SW13	59904766
5.7	Fixing set	59910749
5.8	Pipe, M8x1, L=560	59912806
5.9	O-ring, 6x1.4	59913266
5.12	Fixing screw, M8x1, L=140	59912474
6.1	Aerator, M18.5x1	59913489
6.2	Key for aerator, M18.5	59913367
7	Pop-up waste	59911441
8	Fitting nut	59904969
8.1	Sealing kit, 14.9x8.5x1	59902352
8.2	Sealing kit, 10x8	59902272
8.3	Hose	59902151
8.4	Gasket, 15x8x4 Discontinued	59902270
N.I.	Key, SW30/34	59912108