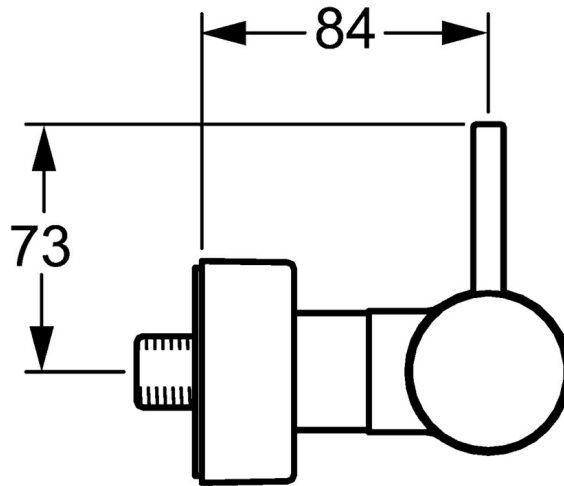
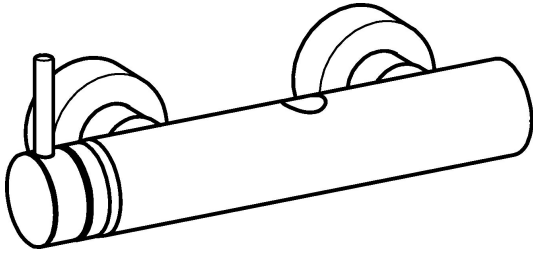


EAN: 4015474188495
static.hansa.com/51869173



- Shower solutions
- Single-lever, side operated
- Wall mounted
- Chrome
- Silencer(s)
- protected against back-flow in domestic use (according to DIN EN 1717)



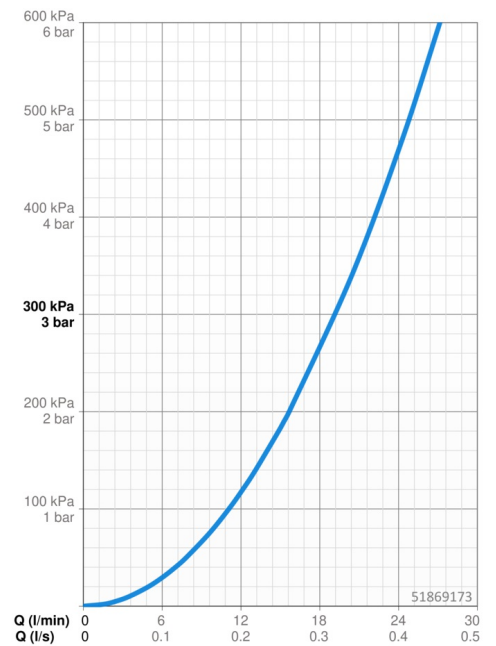
Technical data

Flow properties

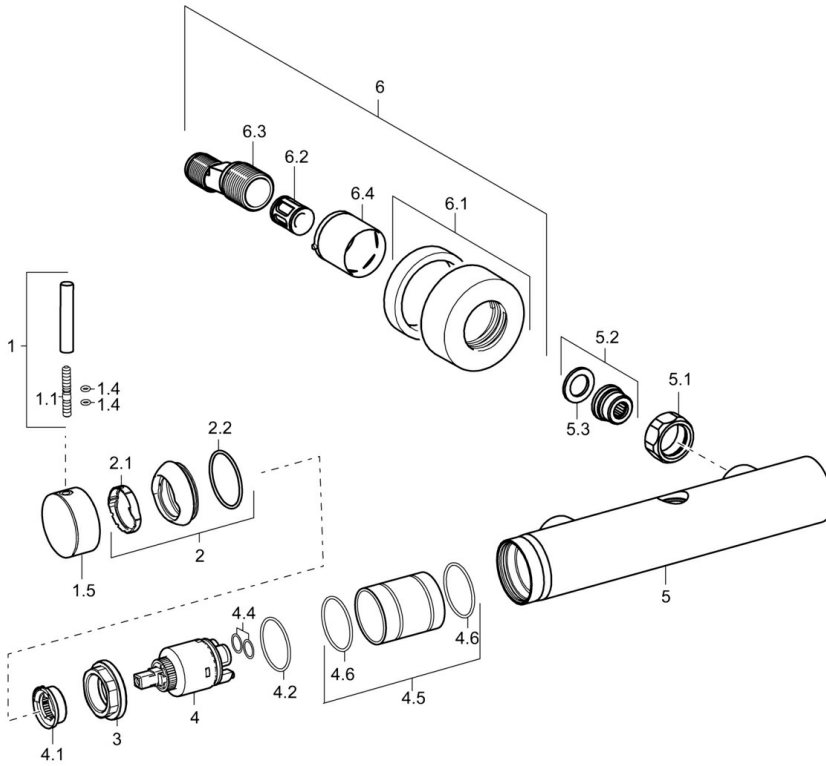
Flow-rate at 3 bar **19.2 l/min**

Technical properties

Hot water supply **max. +80°C**
 Working pressure **0.5-10 bar**



Spare parts



SP51869173

	Name	Code
1	Lever, L=50, M5 IG	59913335
1.1	Screw, M5x35	59913299
1.4	O-ring, d 3x1.5	59913100
1.5	Covering cap Discontinued	59913490
2	Covering cap	59913364
2.1	Bearing ring	59913363
2.2	O-ring, d 38x2	59913212
3	Screw, M42x1, SW34	59913365
4	Cartridge, 3.5 Eco	59912324
4	Cartridge, 3.5 Classic	59913075
4.1	Temperature adjustment limiter	59912325
4.2	O-ring, d 28.24x2.62 Discontinued	59912590
4.4	O-ring, d 10.10x1.60 Discontinued	59905072
4.5	Collar Discontinued	59913433
5.1	Connection nut, G3/4, AF30	59902230
5.2	Seat, G1/2, L, WAF10	59904618
5.3	Retaining ring, 23.9x15.2x2	59902689
6.1	Cover flange	59913432
6.2	Silencer	59904792
6.3	Eccentric connector, G3/4xG1/2, DN15	59910254
6.4	Cover sleeve	59912651
N.I.	Key, SW30/34	59912108