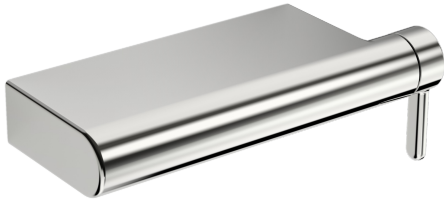
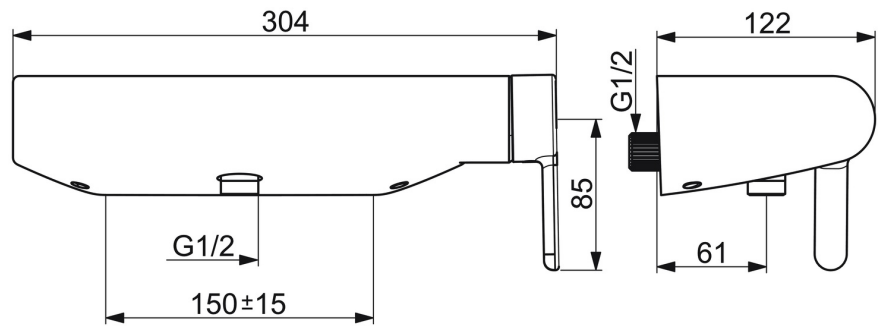
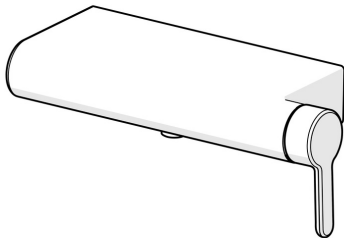


EAN: 4057304006739  
[static.hansa.com/51860183](http://static.hansa.com/51860183)



single-lever shower mixer, DN 15 (G 1/2)

- Shower solutions
- Single-lever, side operated
- Wall mounted
- Chrome
- Single operating lever/handle, Hot/Cold symbols
- Limitation option for maximum temperature and flow-rate, Adjustable hot water stop (included, retrofittable)
- Non-return valve(s),  $\varnothing$  40 mm ceramic cartridge for flow and temperature control
- protected against back-flow in domestic use (according to DIN EN 1717)



## Technical data

### Flow properties

Flow-rate at 3 bar	<b>12.0 l/min</b>
Pressure loss with flow (0.2 l/s)	<b>2 bar</b>

### Technical properties

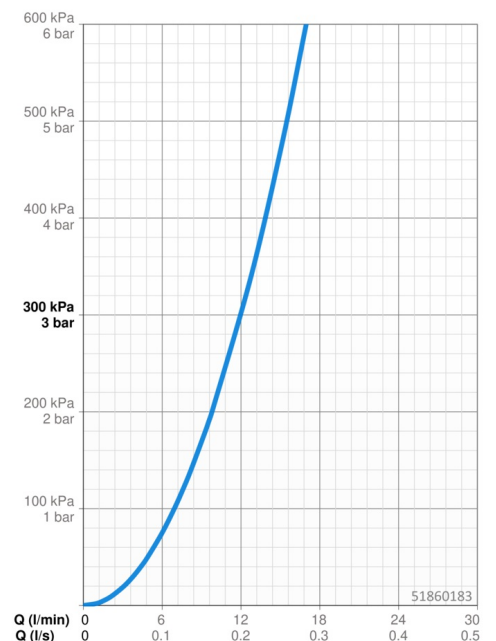
DN-size (nominal dimension)	<b>DN15</b>
Hot water supply	<b>max. +80°C</b>
Working pressure	<b>0.5-10 bar</b>
Connection size	<b>G1/2</b>
Installation width	<b>150 ± 15 mm</b>
Backflow prevention (EN1717)	<b>EB</b>
Material	<b>Brass</b>

### Regulations

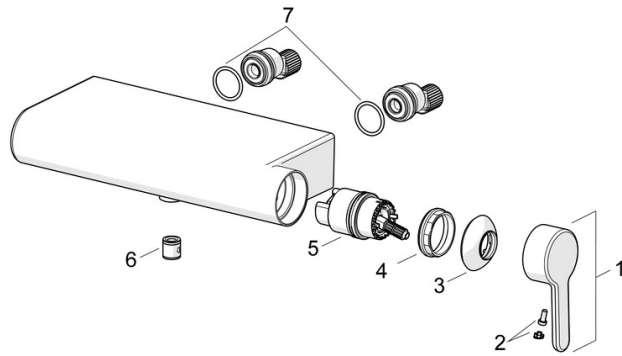
EN standard	<b>EN 817</b>
Noise class	<b>II (ISO 3822)</b>

### Approvals and Declarations

DVGW	<b>DW-6506DL0547</b>
Declaration of conformity	<b>DoC</b>



## Spare parts



### SP51860183

	Name	Code
01	Lever	59914574
02	Symbol plug	59914573
03	Covering cap	59914649
04	Tightening nut, M42x1.5, SW 38	59914128
05	Cartridge, 4.0 Classic	59914129
06	Non-return valve	59905714
07	O-ring, 25.07x2.62	59911479
N.I.	Screw, M8x8	59906104
N.I.	Adapter	03990100
N.I.	Connector, G1/2	59911491