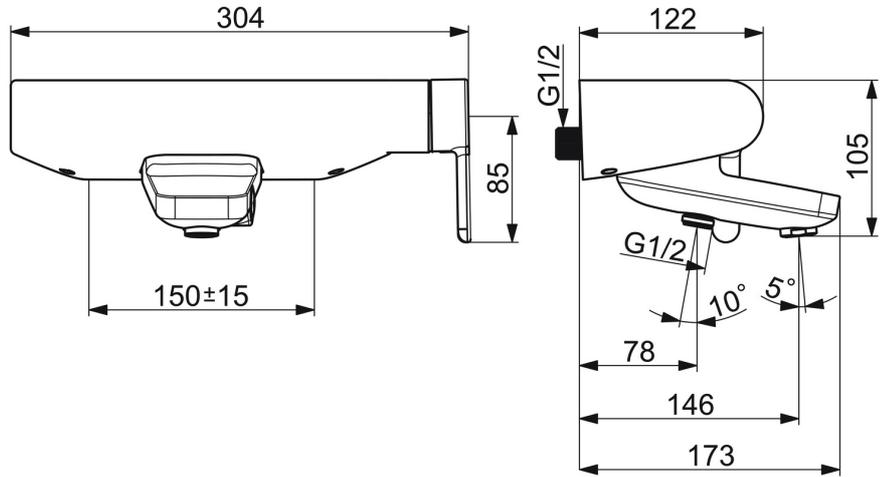
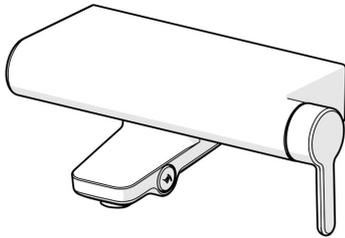


EAN: 4057304006722
static.hansa.com/51852183



single-lever bath mixer, DN 15 G1/2

- Bathtub & Shower
- Single-lever, side operated
- Wall mounted
- Chrome
- Standard aerator
- Single operating lever/handle, Hot/Cold symbols
- Push operated diverter, Integrated into spout, Automatic reset
- Limitation option for maximum temperature and flow-rate, Adjustable hot water stop (included, retrofittable)
- Non-return valve(s), \varnothing 40 mm ceramic cartridge for flow and temperature control
- Ball eccentric coupling(s)
- protected against back-flow in domestic use (according to DIN EN 1717)



Technical data

Flow properties

Flow-rate at 3 bar	20.4 / 12.0 l/min
Pressure loss with flow (0.2 l/s)	1.5 bar
Pressure loss with flow (0.3 l/s)	3 bar

Technical properties

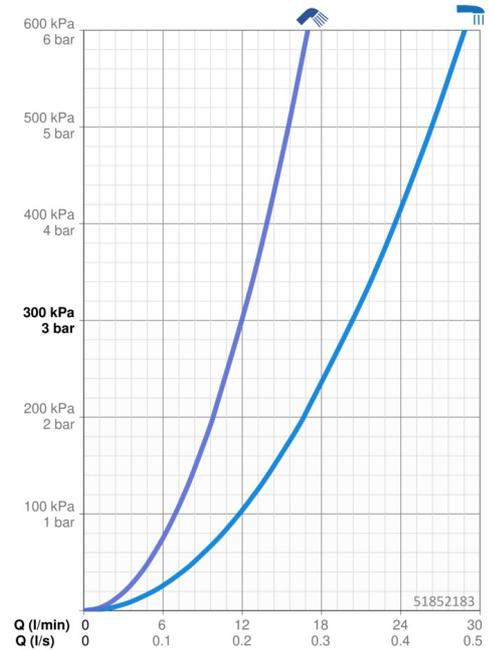
DN-size (nominal dimension)	DN15
Hot water supply	max. +80°C
Working pressure	0.5-10 bar
Connection size	G1/2
Installation width	150 ± 15 mm
Projection	146 mm
Backflow prevention (EN1717)	EB
Material	Brass

Regulations

EN standard	EN 817
Noise class	II (ISO 3822)

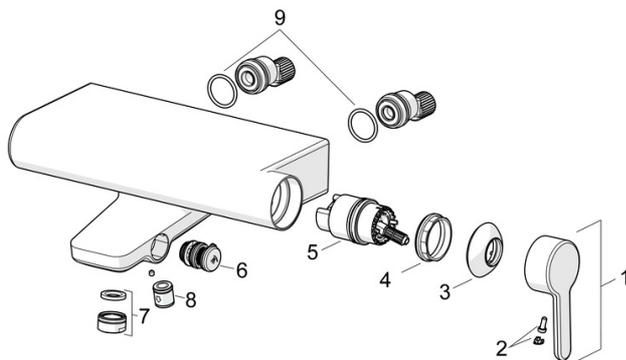
Approvals and Declarations

DVGW	DW-6506DL0547
Declaration of conformity	DoC



Spare parts

SP51852183



	Name	Code
01	Lever	59914574
02	Symbol plug	59914573
03	Covering cap	59914649
04	Tightening nut, M42x1.5, SW 38	59914128
05	Cartridge, 4.0 Classic	59914129
06	Diverter Discontinued	59914604
07	Aerator, M24x1 D	59911829
08	Non-return valve, DN15	59914250
09	O-ring, 25.07x2.62	59911479
N.I.	Screw, M8x8	59906104
N.I.	Adapter	03990100
N.I.	Connector, G1/2	59911491