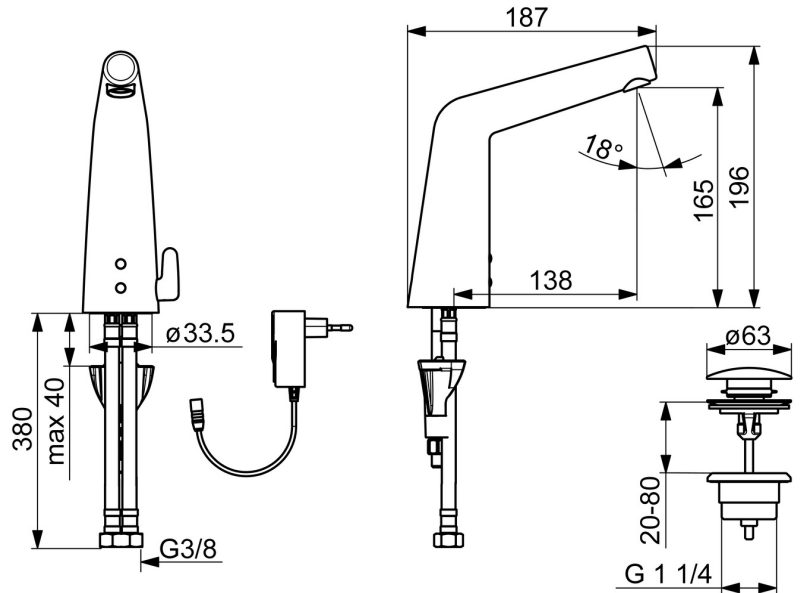
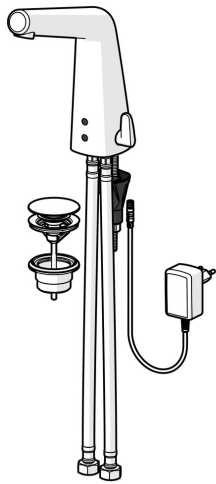


EAN: 4057304006593
static.hansa.com/51792221



electronic basin faucet, DN 15

- Washbasin
- Touchless, Plug transformer, Bluetooth®
- Deck mounted
- Chrome
- Fixed spout
- Hidden aerator
- Temperature control handle
- Push pop-up waste without draw-rod
- Adjustable hot water stop (included, retrofittable)
- Mixing valve for manual temperature control, Non-return valve(s), Litter filter(s)
- Autofocus infrared sensor, Power supply
- Flexible inlet pipes
- Inner body made of DZR brass, 3S-installation system for safe and simple mounting, Software settings adjustable via App
- Without draw-rod opening



Technical data

Flow properties

Flow-rate at 3 bar (with flow controller)	6.0 l/min
Pressure loss with flow (0.1 l/s)	2 bar

Technical properties

DN-size (nominal dimension)	DN15
Hot water supply	max. +70°C
Working pressure	1-10 bar
Connection size	G3/8
Projection	138 mm
Backflow prevention (EN1717)	AA
Material	Brass

Software settings

Afterflow period	3 s (1-20 s)
Automatic flush	off (off/1-120 h)
Automatic flush period	30 s (1-1800 s)
Max. flow period	2 min (1 - 1800 s)

Electronic properties

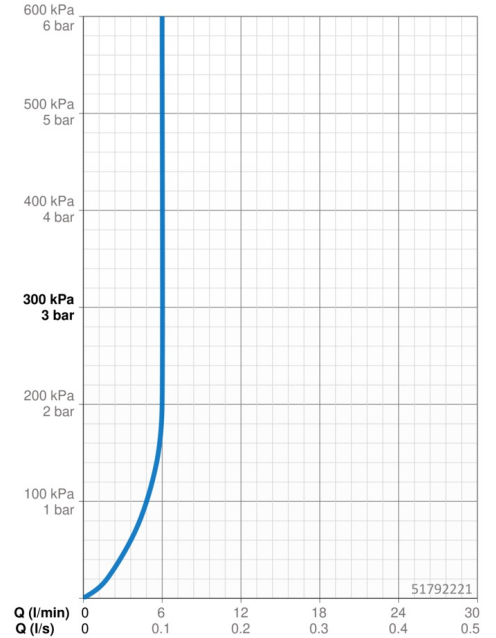
Electrical Connection	230 / 9 V
Bluetooth version	4.x (D034445)

Regulations

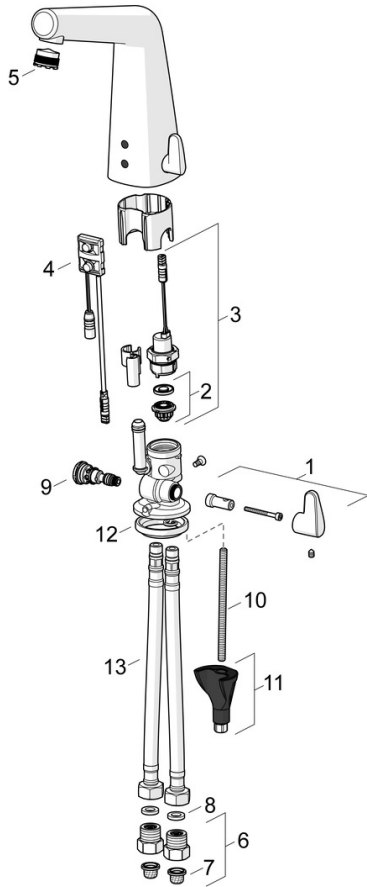
EU Directives	C € Radio Equipment Directive 2014/53/EU , Low Voltage Directive 2014/35/EU , EMC Directive 2014/30/EU , RoHS Directive 2011/65/EU
EN standard	EN 15091, ETSI EN 301 489-1 V1.9.2 , ETSI EN 300 328 v2.2.2 , EN 61000-6-1:2007 , EN 61000-6-3:2007+A1:2011+AC:2012 , EN 60335-1:2012+A11+A13+A14+A14+A2+A15:2021, Part 19.11.4
Noise class	I (ISO 3822)
Protection class	IP 55 / transformer IP 20

Approvals and Declarations

DVGW	CW-6514CR0161
Declaration of conformity	RED



Spare parts



SP51792221

	Name	Code
01	Temperature control handle	59914568
02	Membrane for solenoid valve	1006500V
02	Membrane support ring Discontinued	59914090
03	Solenoid valve, 6 V	59914091
04	Sensor, 6/9/12 V, Bluetooth	59914567
05	Aerator and key, M18.5x1	59914592
06	One-way valve with litter screen	59914086
07	Litter filters	59914085
08	Gasket, 8x14.3x2	59914087
09	Temperature regulator	59914089
10	Fixing screw, M8x1, L=130	59914474
11	Fixing set	59914475
12	Bottom seal	59914591
13	Flexible pipe, L=400, G3/8-M10x1	59914593
N.I.	Rapid pop-up waste	59913988
N.I.	Limiter	59914106
N.I.	Power supply, 230/9 V, 550 mA	64490900