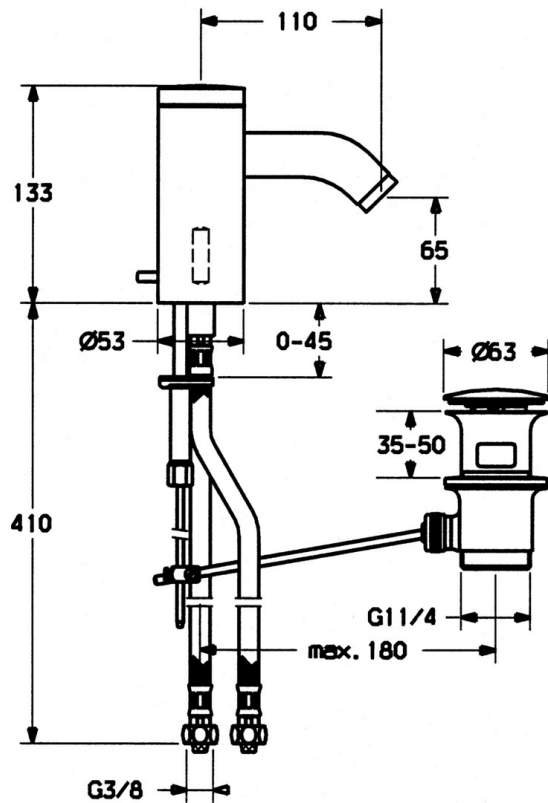
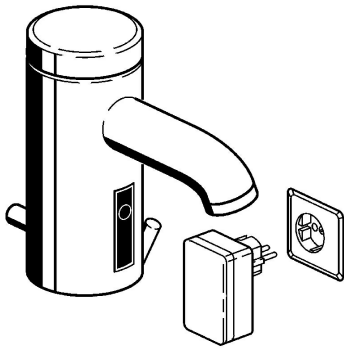


EAN: 4015474057395  
[static.hansa.com/51792200](http://static.hansa.com/51792200)



- Public & Semi-public
- Touchless, External transformer
- Deck mounted
- Chrome
- Fixed spout
- PCA® - constant flow rate regardless of pressure variations
- Pop-up waste with draw-rod
- Temperature preset fixable, Limitation option for maximum temperature and flow-rate
- Litter filter(s), Non-return valve(s)
- Solenoid valve, Infrared sensor
- Flexible inlet pipes
- Software settings adjustable via buttons



## Technical data

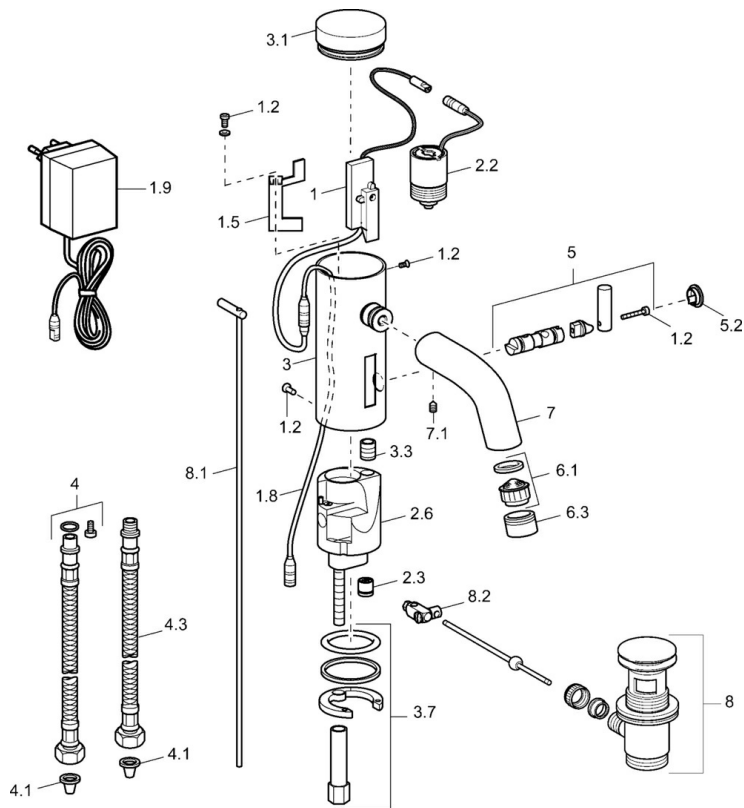
### Technical properties

DN-size (nominal dimension)	<b>DN15</b>
Hot water supply	<b>max. +70°C</b>
Working pressure	<b>0.5-10 bar</b>
Connection size	<b>G3/8</b>
Length / Height	<b>110 mm</b>
Backflow prevention (EN1717)	<b>EB</b>
Material	<b>Brass</b>

### Regulations

EN standard	<b>EN 15091</b>
-------------	-----------------

## Spare parts



### SP51792200

	Name	Code
1	Electronics	59912436
1.2	Screw	59912450
1.5	Holder	59912442
1.8	Connection cable	59910770
1.9	Power supply, 230/6 V DC	59911671
2.2	Solenoid valve	59912240
2.3	Non-return valve	59911674
3.1	Cover Discontinued	59912444
3.3	Sleeving	59911678
3.7	Fixing set	59911680
4	Flexible pipe, G3/8x10 (2008-)	59912447
4.1	Litter filter	59911684
4.3	Hose, M12x1, G3/8, L=400	59911682
5	Lever Discontinued	59912446
5.2	Covering cap Discontinued	59912448
6.1	Aerator, M22/24, Z	59906830
6.3	Aerator and key, M24x1, (2002-)	59912225
7	Spout Discontinued	59912441
7.1	Screw, M5x8, SW2.5	59904755
8	Pop-up waste	59911441
8.1	Pop-up operating rod	59912449
8.2	Swivel joint	59904624
N.I.	Diverter and cartridge	59912788
N.I.	Connection cable, L=1500	59910648