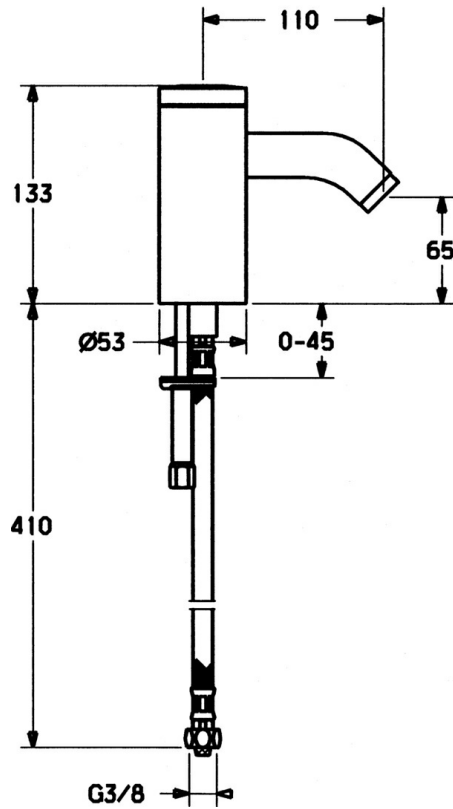


EAN: 4015474057463
static.hansa.com/51742210



- Washbasin
- Battery-operated, Touchless
- Deck mounted
- Chrome
- Fixed spout
- PCA® - constant flow rate regardless of pressure variations
- Litter filter(s), Non-return valve(s)
- Low battery indicator, Infrared sensor, Solenoid valve
- One inlet for cold or premixed water
- Software settings adjustable via buttons
- Without pop-up waste, Without draw-rod opening



Technical data

Flow properties

Flow-rate at 3 bar **6.0 l/min**

Technical properties

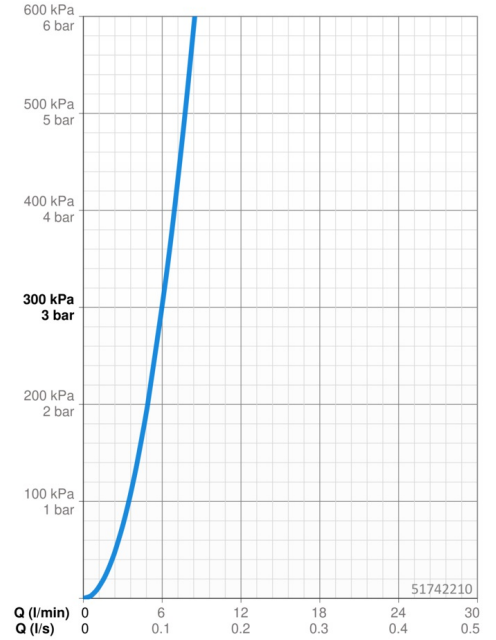
DN-size (nominal dimension) **DN15**
 Hot water supply **max. +70°C**
 Working pressure **0.5-10 bar**
 Connection size **G3/8**
 Projection **110 mm**
 Backflow prevention (EN1717) **EB**
 Material **Brass**

Electronic properties

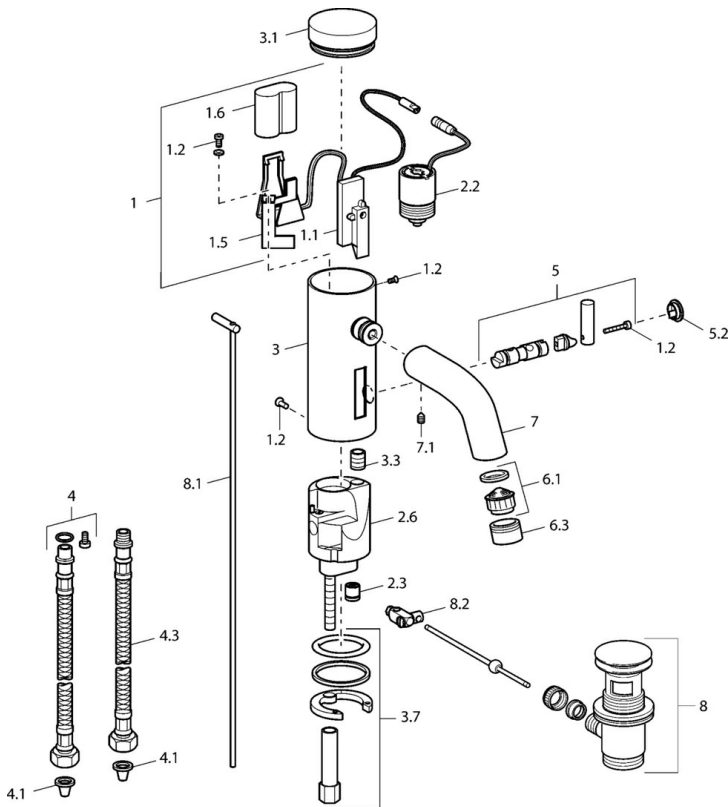
Battery **Lithium DL223 6 V**

Regulations

EN standard **EN 15091**



Spare parts



SP51792210

	Name	Code
1	Electronics package	59912437
1.2	Screw	59912450
1.5	Holder	59912442
1.6	Lithium battery, DL223A /CR-P2	59912443
2.2	Solenoid valve	59912240
2.3	Non-return valve	59911674
3.1	Cover Discontinued	59912444
3.3	Sleeving	59911678
3.7	Fixing set	59911680
4	Flexible pipe, G3/8x10 (2008-)	59912447
4.1	Litter filter	59911684
4.3	Hose, M12x1, G3/8, L=400	59911682
5	Lever Discontinued	59912446
5.2	Covering cap Discontinued	59912448
6.1	Aerator, M22/24, Z	59906830
6.3	Aerator and key, M24x1, (2002-)	59912225
7	Spout Discontinued	59912441
7.1	Screw, M5x8, SW2.5	59904755
8	Pop-up waste	59911441
8.1	Pop-up operating rod	59912449
8.2	Swivel joint	59904624
N.I.	Diverter and cartridge	59912788