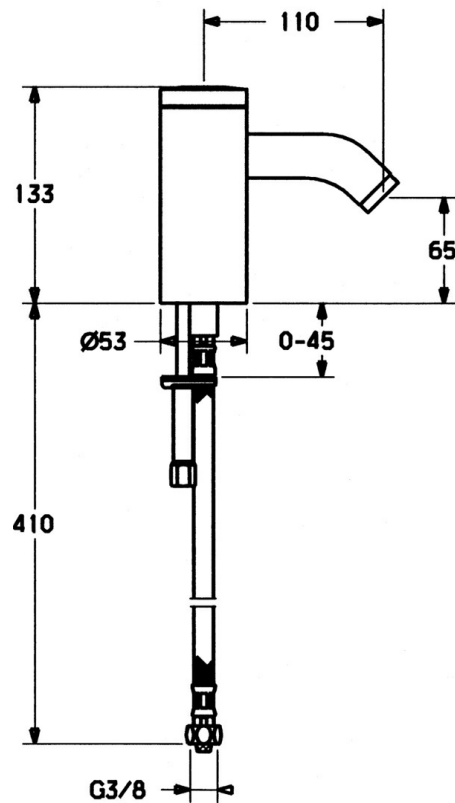
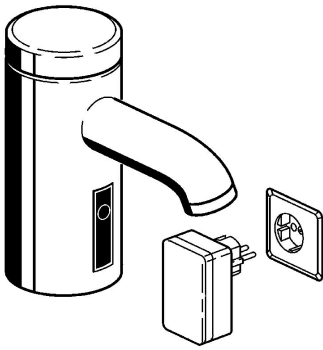


EAN: 4015474057456
static.hansa.com/51742200



- Washbasin
- Touchless, External transformer
- Deck mounted
- Chrome
- Fixed spout
- PCA® - constant flow rate regardless of pressure variations
- Litter filter(s), Non-return valve(s)
- Solenoid valve, Infrared sensor
- One inlet for cold or premixed water
- Inner body made of DZR brass, Software settings adjustable via buttons
- Without pop-up waste, Without draw-rod opening



Technical data

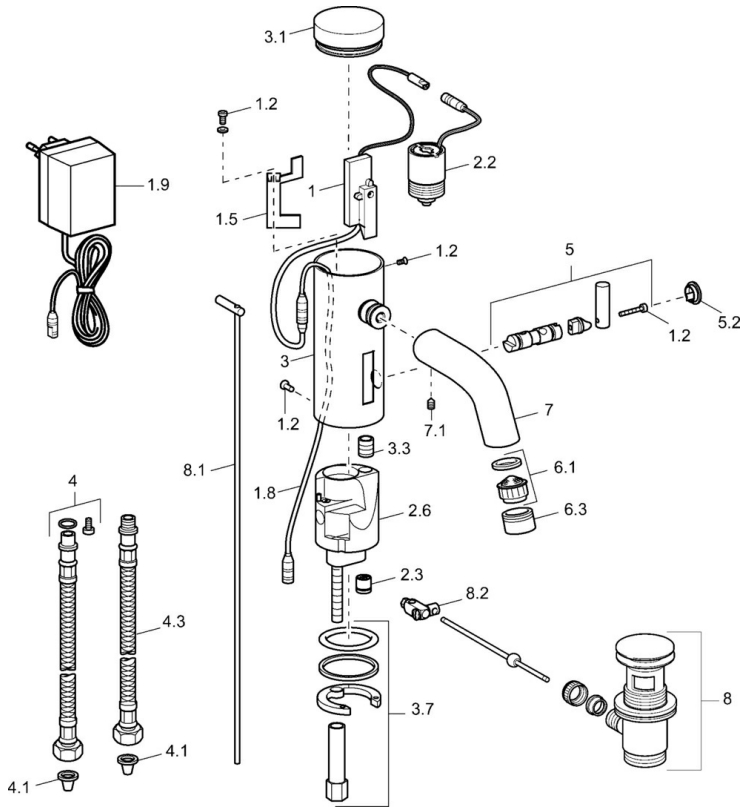
Technical properties

Hot water supply	max. +70°C
Working pressure	0.5-10 bar
Connection size	G3/8
Length / Height	110 mm
Backflow prevention (EN1717)	EB
Material	Brass

Regulations

EN standard	EN 15091
-------------	-----------------

Spare parts



SP51792200

	Name	Code
1	Electronics	59912436
1.2	Screw	59912450
1.5	Holder	59912442
1.8	Connection cable	59910770
1.9	Power supply, 230/6 V DC	59911671
2.2	Solenoid valve	59912240
2.3	Non-return valve	59911674
3.1	Cover Discontinued	59912444
3.3	Sleeving	59911678
3.7	Fixing set	59911680
4	Flexible pipe, G3/8x10 (2008-)	59912447
4.1	Litter filter	59911684
4.3	Hose, M12x1, G3/8, L=400	59911682
5	Lever Discontinued	59912446
5.2	Covering cap Discontinued	59912448
6.1	Aerator, M22/24, Z	59906830
6.3	Aerator and key, M24x1, (2002-)	59912225
7	Spout Discontinued	59912441
7.1	Screw, M5x8, SW2.5	59904755
8	Pop-up waste	59911441
8.1	Pop-up operating rod	59912449
8.2	Swivel joint	59904624
N.I.	Diverter and cartridge	59912788
N.I.	Connection cable, L=1500	59910648