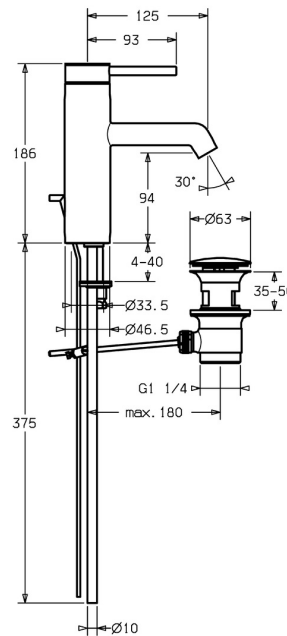
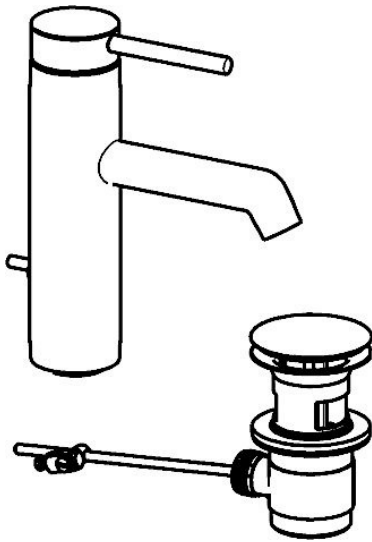


EAN: 4015474172043
static.hansa.com/51712173



- Washbasin
- Single-lever
- Deck mounted
- Chrome
- Fixed spout
- PCA® - constant flow rate regardless of pressure variations, Hidden aerator
- Pin shape, Hot/Cold symbols, Single operating lever/handle
- Pop-up waste with draw-rod
- Limitation option for maximum temperature and flow-rate, Adjustable hot water stop (included, retrofittable)
- \varnothing 35 mm ceramic cartridge for flow and temperature control
- Copper inlet pipes
- Inner body made of DZR brass, Rapid installation system



Technical data

Flow properties

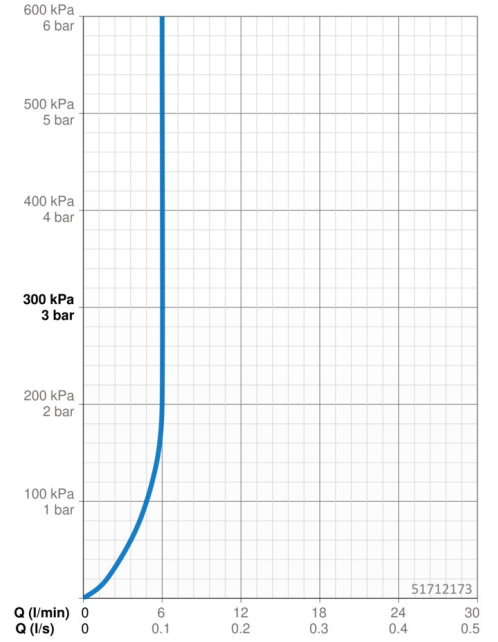
Flow-rate at 3 bar (with flow controller) **6.0 l/min**

Technical properties

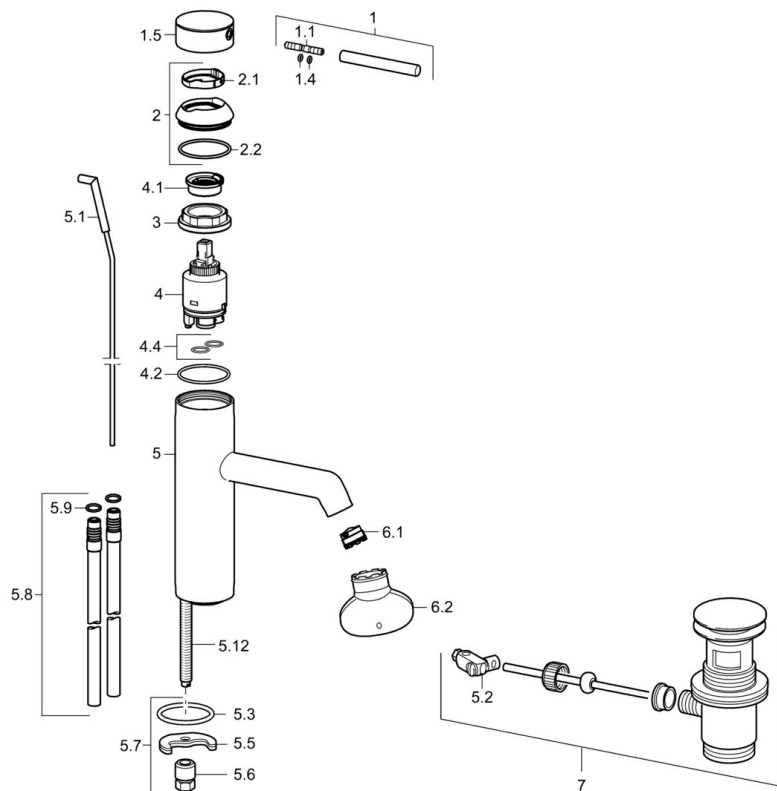
DN-size (nominal dimension) **DN15**
 Hot water supply **max. +80°C**
 Working pressure **0.5-10 bar**
 Connection size **Ø10**
 Projection **125 mm**
 Backflow prevention (EN1717) **AA**
 Material **Brass**

Regulations

EN standard **EN 817**



Spare parts



SP51712173

	Name	Code
1	Lever, 70 mm	59913331
1.1	Screw, M5x35	59913299
1.4	O-ring, d 3x1.5	59913100
1.5	Cap	59913332
1.5	Cap Black Discontinued	59913333
1.5	Cap White Discontinued	59913334
2	Covering cap	59913364
2.1	Bearing ring	59913363
2.2	O-ring, d 38x2	59913212
3	Screw, M42x1, SW34	59913365
4	Cartridge, 3.5 Eco	59912324
4	Cartridge, 3.5 Classic	59913075
4.1	Temperature adjustment limiter	59912325
4.2	O-ring, d 28.24x2.62 Discontinued	59912590
4.4	O-ring, d 10.10x1.60 Discontinued	59905072
5.1	Lever for pop-up waste	59913362
5.2	Swivel joint	59904624
5.3	O-ring, d 36.09x d 3.53	59913396
5.3	Bottom seal	59914591
5.5	Fixing plate	59904765
5.6	Screw, M8x1, SW13	59904766
5.7	Fixing set	59910749
5.8	Flexible pipe, L=500, G3/8-M10x1	59911767
5.8	Coupling pipe, M10x1, L=480	59913368
5.9	O-ring, d 7.65x1.78	59902337
5.12	Fixing screw, M8x1, L=140	59912474
6.1	Aerator, M18.5x1, TJ	59913366
6.2	Key for aerator, M18.5	59913367
7	Pop-up waste	59911441
N.I.	Key, SW30/34	59912108