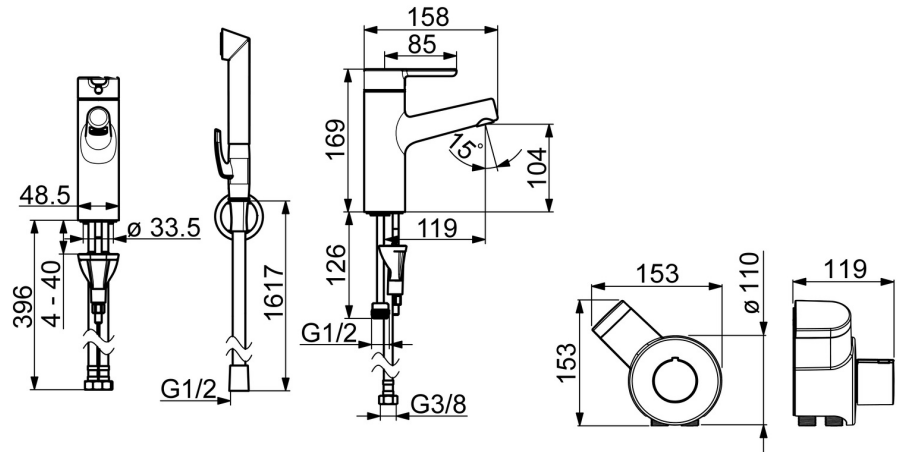
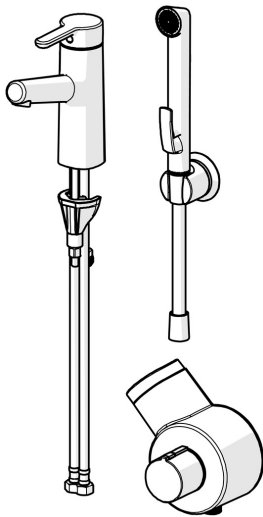


EAN: 4057304006340
static.hansa.com/51682281



one-hole single-lever basin mixer, DN 15

- Washbasin
- Single-lever, Battery-operated, Bidetta
- Deck mounted
- Chrome
- Fixed spout
- PCA® - constant flow rate regardless of pressure variations, Hidden aerator
- Hot/Cold symbols, Single operating lever/handle
- Hand shower, Shower holder, Shower hose (1500 mm)
- Remote-operated Smart Bidetta
- Safety stop against scalding at 38°C
- ø 40 mm ceramic cartridge for flow and temperature control, Thermostatic cartridge for automatic temperature control
- External control unit
- Flexible inlet pipes
- 3S-installation system for safe and simple mounting
- Without pop-up waste, Without draw-rod opening
- 1 spray function



Technical data

Flow properties

| | |
|-------------------------------------------|------------------|
| Flow-rate at 3 bar (with flow controller) | 6.0 l/min |
| Pressure loss with flow (0.1 l/s) | 1 bar |

Technical properties

| | |
|-----------------------------|-------------------|
| DN-size (nominal dimension) | DN15 |
| Hot water supply | max. +70°C |
| Working pressure | 1-10 bar |
| Connection size | G3/8 |
| Projection | 119 mm |
| Material | Brass |

Software settings

| | |
|------------------|--------------|
| Max. flow period | 2 min |
|------------------|--------------|

Electronic properties

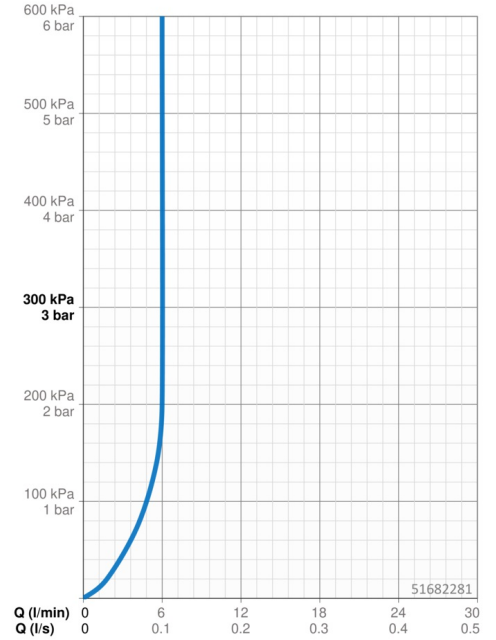
| | |
|---------|------------------------------------------|
| Battery | AA 1.5 V Lithium x 2, CR 2450 3 V |
|---------|------------------------------------------|

Regulations

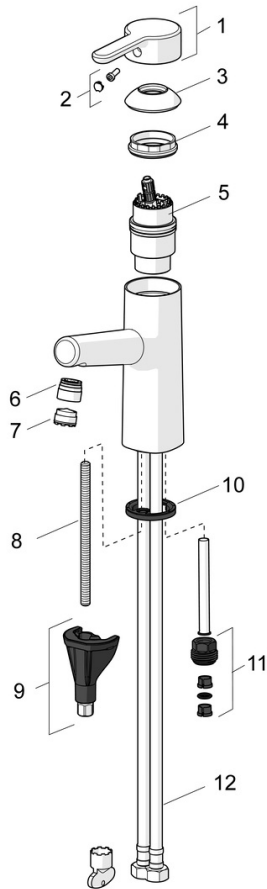
| | |
|------------------|----------------------------------------------------------------------------------------------------------------------------------------------------------------------------------------------|
| EU Directives | C € EMC Directive 2014/30/EU, RoHS Directive 2011/65/EU |
| EN standard | EN 1111, EN 817, EN 15091, ETSI EN 301 489-1 V1.9.2, ETSI EN 300 328 v2.2.2, EN 61000-6-1:2007, EN 61000-6-3:2007+A1:2011+AC:2012, EN 60335-1:2012+A11+A13+A14+A15:2021, Part 19.11.4 |
| Noise class | I (ISO 3822) |
| Protection class | IP 55 |

Approvals and Declarations

| | |
|---------------------------|-----------------------------|
| UN38.3 | UN38-3 Energizer L91 |
| Declaration of conformity | EMC |



Spare parts



SP51712283

| | Name | Code |
|------|--------------------------------------------------|----------|
| 01 | Lever | 59914574 |
| 02 | Symbol plug | 59914573 |
| 03 | Covering cap | 59914649 |
| 04 | Tightening nut, M42x1.5, SW 38 | 59914128 |
| 05 | Cartridge, 4.0 Classic | 59914129 |
| 06 | Fitting ring for aerator | 59914645 |
| 07 | Aerator, M18.5x1, TJ | 59913366 |
| 08 | Fixing screw, M8x1, L=130 | 59914474 |
| 09 | Fixing set | 59914475 |
| 10 | Bottom seal | 59914591 |
| 11 | Nipple Discontinued | 59914133 |
| 12 | Flexible pipe, L=475, G3/8-M10x1 LH Discontinued | 59914468 |
| N.I. | Hand shower holder | 04430100 |
| N.I. | Shower hose, L=1600 Satin | 54120500 |
| N.I. | Pop-up waste | 59911441 |
| N.I. | Pop-up operating rod | 59913459 |
| N.I. | Bidetta hand shower | 59914162 |