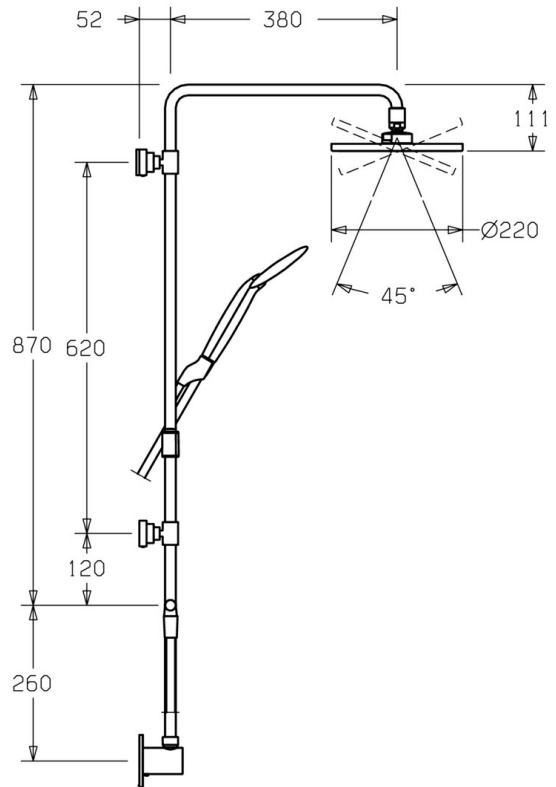
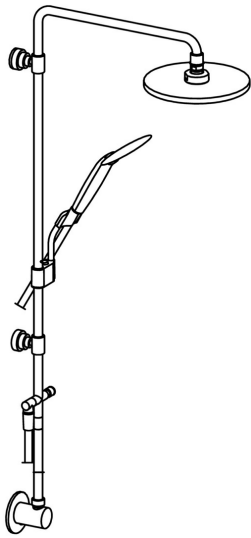


EAN: 4015474173699
static.hansa.com/51660200



- Shower solutions
- Wall mounted
- Chrome
- Non-return valve(s)

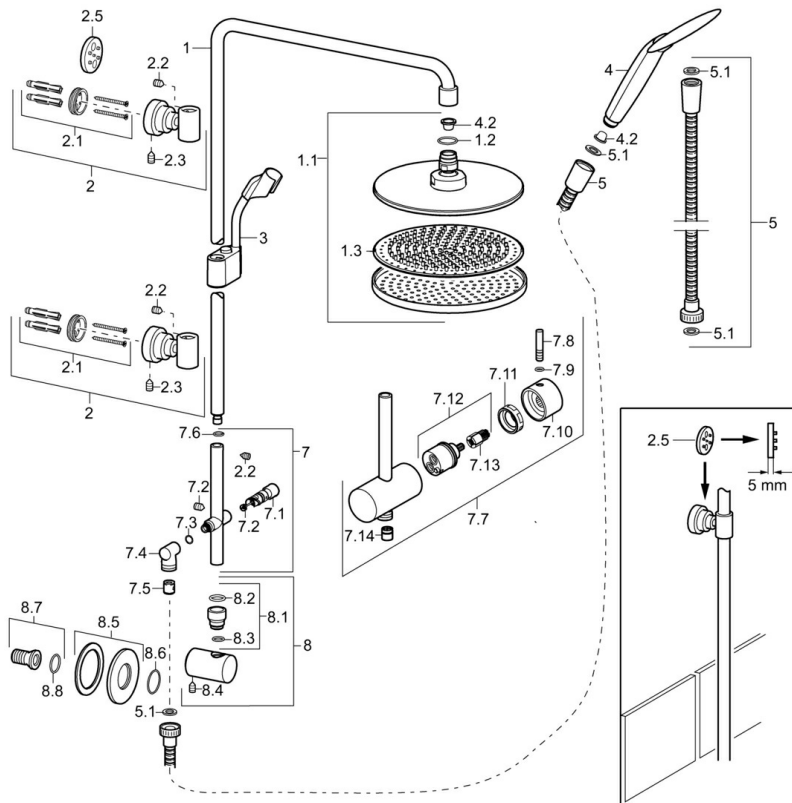


Technical data

Technical properties

Hot water supply	max. +65°C
Working pressure	0.5-10 bar
Backflow prevention (EN1717)	EB

Spare parts



SP51660200

	Name	Code
1	Shower pipe, d 18 mm Discontinued	59913308
1.1	Headshower, d 220 mm	59912432
1.2	O-ring, 20x2	59912435
1.3	Nozzle plate, (-2013)	59912908
2	Wall bracket	59913028
2.1	Fixing set Discontinued	59913021
2.2	Screw, M4x4	59901027
2.3	Screw, M5x8, SW2.5	59904755
2.5	Spacer ring Discontinued	59913022
3	Slide for shower rail, d 18 mm, (-2019) Discontinued	59913306
4	Hand shower, (-2018) Discontinued	04320200
4.2	Strainer	59906859
5	Shower hose, L=1250	54120400
5.1	Gasket ring, d 21x12x2	59912304
7	Diverter body	59913030
7.1	Diverter	59913025
7.2	Maintenance set	59913027
7.3	O-ring, 9.5x1.5 Discontinued	59913026
7.4	Connector coupling Discontinued	59913023
7.5	Non-return valve	59905714
7.6	O-ring, d 11.5x2 Discontinued	59913307
7.7	Diverter body complete, (2013-) Discontinued	59913882
7.8	Pin, M6, 21 mm	59913284
7.9	O-ring, d 3x1.5	59913100
7.10	Handle	59913817
7.11	Tightening nut, M37x1, AF30 Discontinued	59912111
7.12	Diverter	59913818
7.13	Adapter White	59910235
7.14	Non-return valve	59905714
8	Wall coupling for shower hose Discontinued	59913031
8.1	Connection nipple, d 18 mm, M18x1 Discontinued	59913032
8.2	O-ring, 18x3.5	59913227
8.4	Screw, M6x9 Discontinued	59911237
8.5	Cover flange Discontinued	59912134
8.6	O-ring, 34x2	59912533
8.7	Connection nipple, G1/2	59911229
8.8	O-ring, d 25x2.5	59905053
N.I.	Connection nipple, G1/2, M24x1	59913137