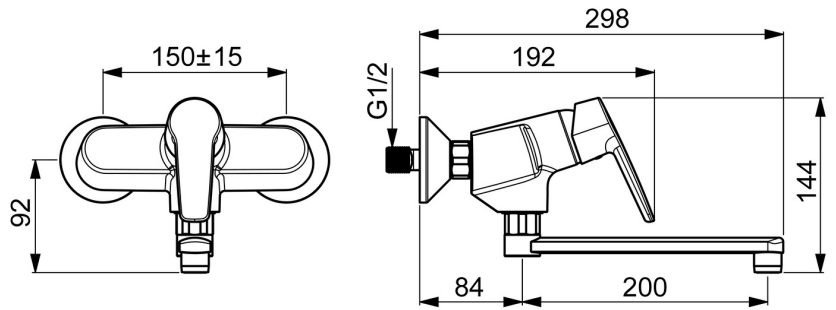
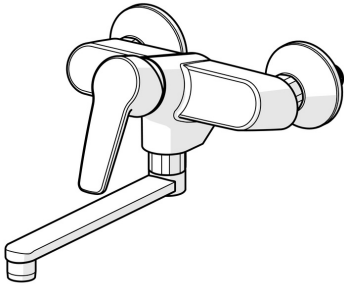


EAN: 4057304004964
static.hansa.com/51622193



- Kitchen
- Single-lever
- Wall mounted
- Chrome
- Swivel spout
- Standard aerator
- Hot/Cold symbols, Single operating lever/handle
- Limitation option for maximum temperature and flow-rate, The housing of the fittings conducts minimal heat, Adjustable hot water stop (included, retrofittable)
- \varnothing 35 mm ceramic cartridge for flow and temperature control
- Eccentric coupling(s)
- Inner body made of DZR brass



Technical data

Flow properties

Flow-rate at 3 bar **13.2 l/min**

Technical properties

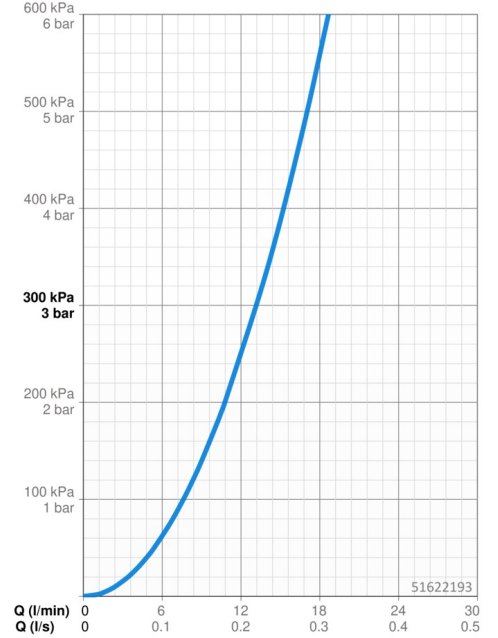
DN-size (nominal dimension) **DN15**
 Hot water supply **max. +80°C**
 Working pressure **0.5-10 bar**
 Connection size **G3/4**
 Installation width **150 ± 15 mm**
 Projection **284 mm**
 Material **Brass**

Regulations

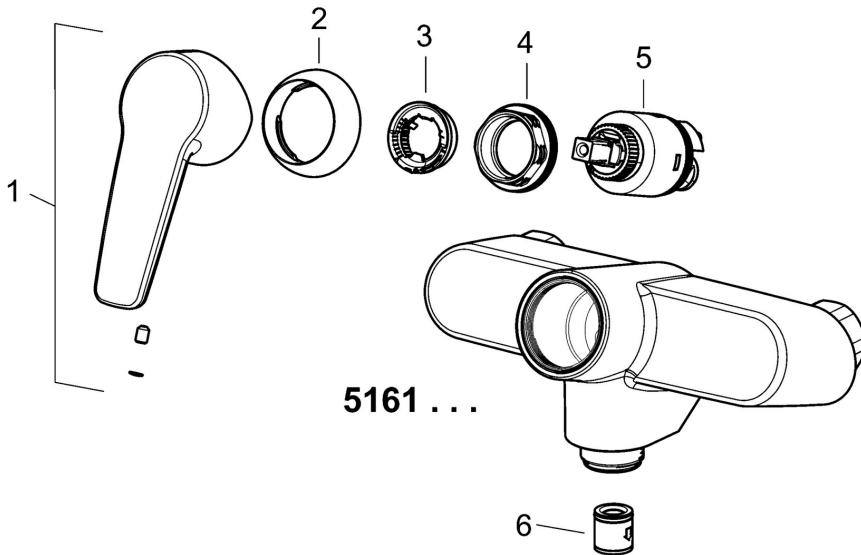
EN standard **EN 817**

Approvals and Declarations

Declaration of conformity **DoC**
 EPD **S-P-06396**



Spare parts



SP51612193

	Name	Code
1	Lever	59914417
2	Covering cap, 33x3 mm	59912504
3	Temperature adjustment limiter	59912325
4	Tightening nut, M40x1	1003409V
5	Cartridge, 3.5 Classic	59913075
N.I.	Eccentric, G3/4xG1/2	59904793
N.I.	O-ring, 13.6x2.4	59914158
N.I.	Bushing (10 pcs), 18/20.6	59914159
N.I.	Retaining ring Discontinued	59914160
N.I.	Aerator, M22x1 Discontinued	59914469
N.I.	Spout, L=150	59914470
N.I.	Spout, L=200	59914471
N.I.	Nipple, G3/4-M22x1.5 Discontinued	59914570