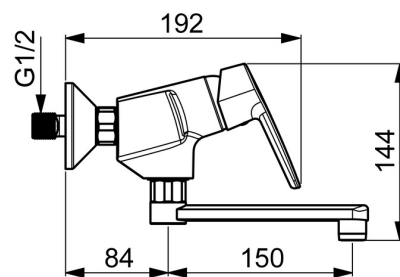
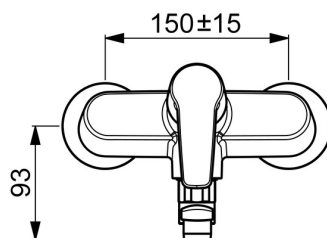
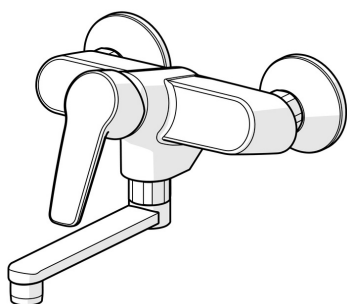


EAN: 4057304004957  
[static.hansa.com/51612193](https://static.hansa.com/51612193)



- Kitchen
- Single-lever
- Wall mounted
- Chrome
- Swivel spout
- Standard aerator
- Hot/Cold symbols, Single operating lever/handle
- Limitation option for maximum temperature and flow-rate, Adjustable hot water stop (included, retrofittable), The housing of the fittings conducts minimal heat
- $\varnothing$  35 mm ceramic cartridge for flow and temperature control
- Eccentric coupling(s)
- Inner body made of DZR brass



## Technical data

### Flow properties

Flow-rate at 3 bar **13.2 l/min**

### Technical properties

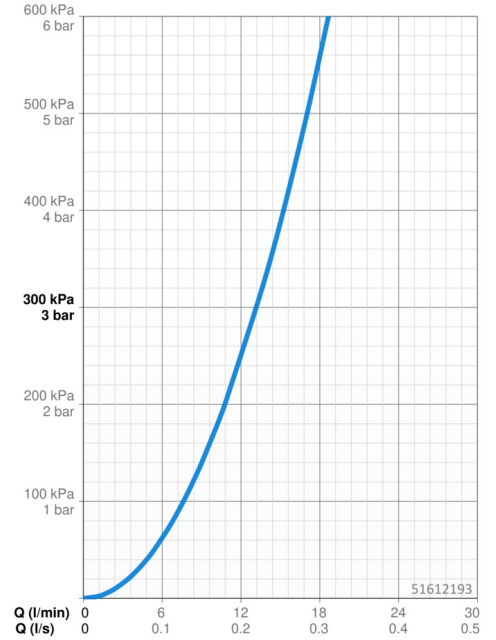
DN-size (nominal dimension) **DN15**  
 Hot water supply **max. +80°C**  
 Working pressure **0.5-10 bar**  
 Connection size **G3/4**  
 Installation width **150 ± 15 mm**  
 Projection **234 mm**  
 Backflow prevention (EN1717) **AA**  
 Material **Brass**

### Regulations

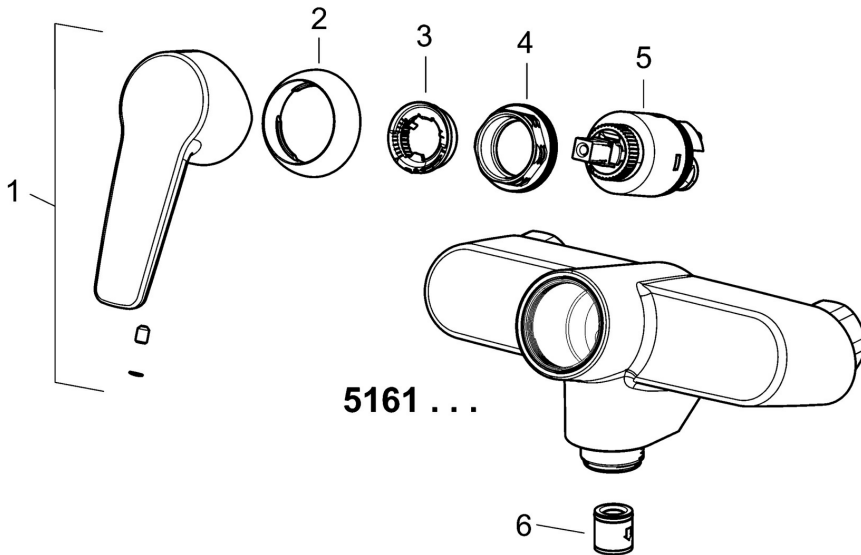
EN standard **EN 817**

### Approvals and Declarations

Declaration of conformity **DoC**  
 EPD **S-P-06391**



## Spare parts



### SP51612193

	Name	Code
1	Lever	59914417
2	Covering cap, 33x3 mm	59912504
3	Temperature adjustment limiter	59912325
4	Tightening nut, M40x1	1003409V
5	Cartridge, 3.5 Classic	59913075
N.I.	Eccentric, G3/4xG1/2	59904793
N.I.	O-ring, 13.6x2.4	59914158
N.I.	Bushing (10 pcs), 18/20.6	59914159
N.I.	Retaining ring Discontinued	59914160
N.I.	Aerator, M22x1 Discontinued	59914469
N.I.	Spout, L=150	59914470
N.I.	Spout, L=200	59914471
N.I.	Nipple, G3/4-M22x1.5 Discontinued	59914570