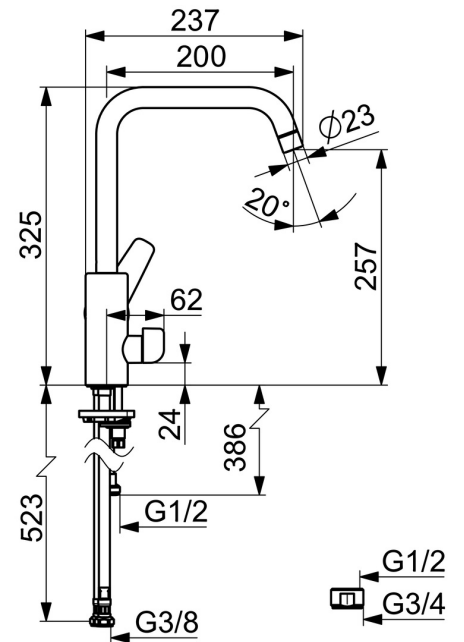
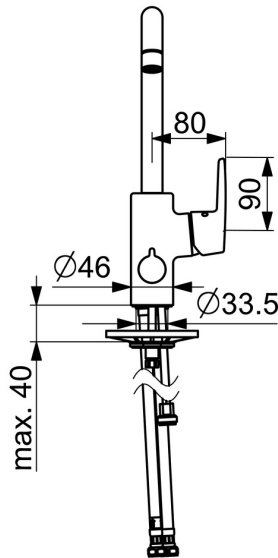
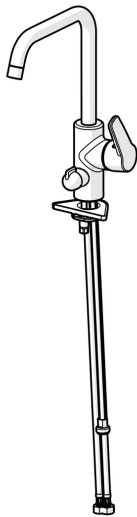


EAN: 4057304003783  
[static.hansa.com/51602293](http://static.hansa.com/51602293)



- Kitchen
- Single-lever, side operated, Dishwasher valve
- Deck mounted
- Chrome
- Swivel spout, Swivel range limiting option
- Standard aerator
- Mechanic stop valve for external equipment
- Hot/Cold symbols, Single operating lever/handle
- Limitation option for maximum temperature and flow-rate, Adjustable hot water stop (included, retrofittable)
- $\varnothing$  35 mm ceramic cartridge for flow and temperature control
- Flexible inlet pipes
- Inner body made of DZR brass, Rapid installation system



## Technical data

### Flow properties

Flow-rate at 3 bar **12.0 l/min**

### Technical properties

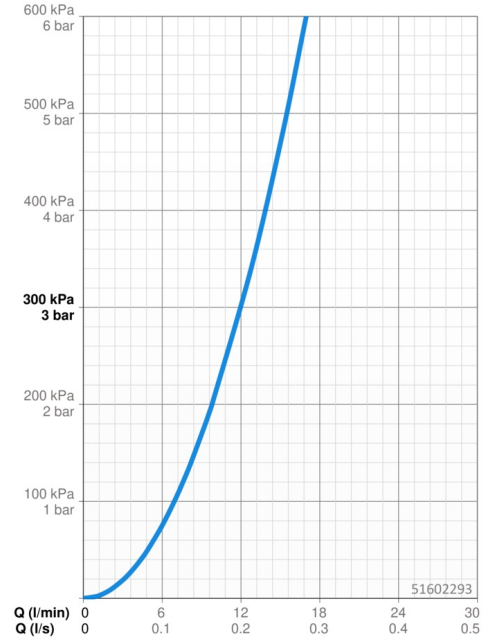
DN-size (nominal dimension) **DN15**  
 Hot water supply **max. +80°C**  
 Working pressure **0.5-10 bar**  
 Connection size **G3/8**  
 Projection **200 mm**  
 Backflow prevention (EN1717) **AA**  
 Material **Brass**

### Regulations

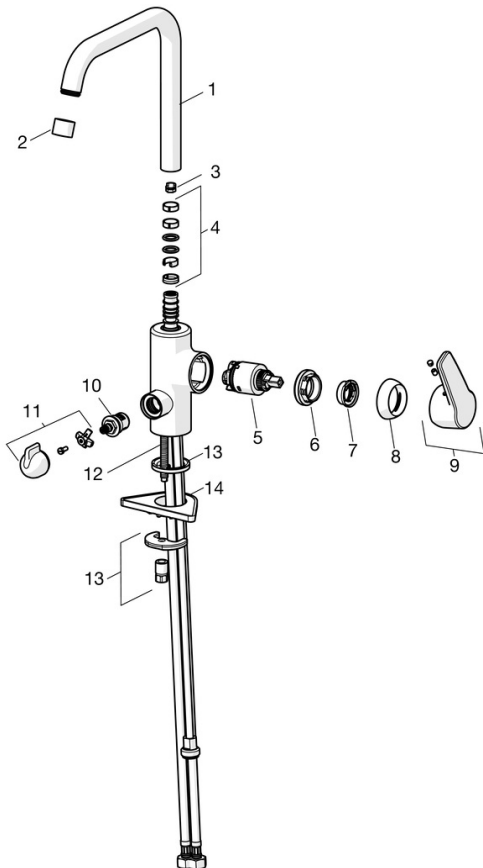
EN standard **EN 817**

### Approvals and Declarations

Declaration of conformity **DoC**



## Spare parts



### SP51602293

	Name	Code
01	High spout Discontinued	59914435
02	Aerator, M22x1 STD CC A	59914436
03	Spout overturning stopper, 60° / 0°	59914264
03	Spout overturning stopper, 120° Discontinued	59914429
04	Sealing kit for spout	59914431
05	Cartridge, 3.5 Classic	59913075
06	Tightening nut, M40x1	1003409V
07	Temperature adjustment limiter	59912325
08	Covering cap, 33x3 mm	59912504
09	Lever Discontinued	59914430
10	Headpart, G1/2	59914433
11	Handle for washing machine valve Discontinued	59914715
12	Fixing screw, M8x1, L=140	59912474
13	Fixing set	59910749
14	Supporting plate	59910008