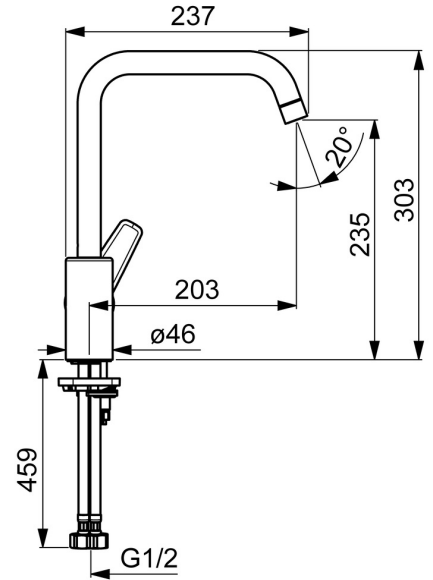
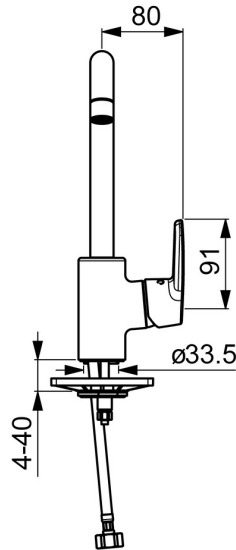
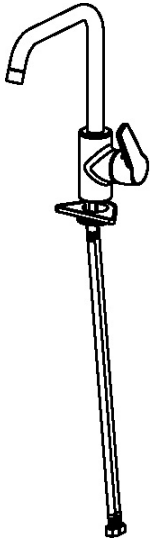


EAN: 4057304004223
static.hansa.com/515622930037



- Kitchen
- Single-lever, side operated
- Deck mounted
- Chrome
- Swivel spout, Swivel range limiting option
- PCA® - constant flow rate regardless of pressure variations
- Hot/Cold symbols, Single operating lever/handle
- Limitation option for maximum temperature and flow-rate, Adjustable hot water stop (included, retrofittable)
- ø 35 mm ceramic cartridge for flow and temperature control
- Flexible inlet pipes
- Inner body made of DZR brass, Rapid installation system



Technical data

Flow properties

Flow-rate at 3 bar (with flow controller) **7.2 l/min**

Technical properties

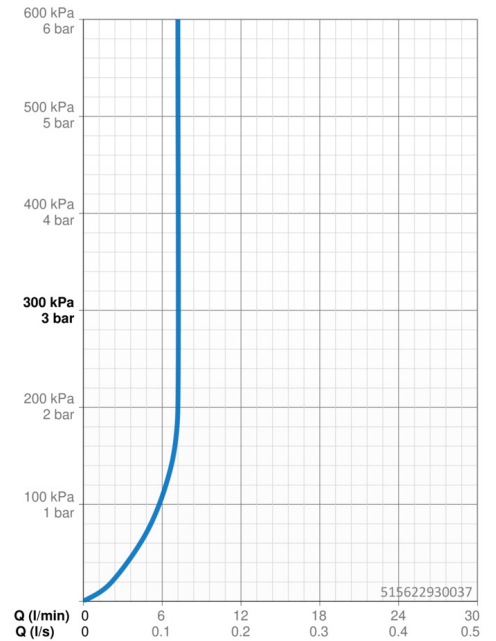
DN-size (nominal dimension) **DN15**
 Hot water supply **max. +80°C**
 Working pressure **0.5-10 bar**
 Connection size **G1/2**
 Projection **200 mm**
 Backflow prevention (EN1717) **AA**
 Material **Brass**

Regulations

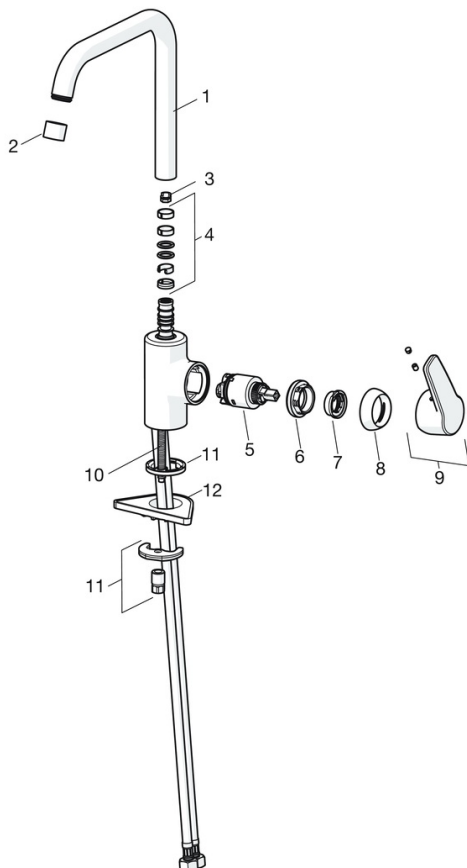
EN standard **EN 817**

Approvals and Declarations

DVGW **NW-6506BP0361**
 ABP **P-IX 38495/IA**
 Declaration of conformity **DoC**



Spare parts



SP515622930037

	Name	Code
01	High spout Discontinued	59914435
02	Aerator, M22x1 STD CC PCA, 7 l/min Discontinued	59914462
03	Spout overturning stopper, 60° / 0°	59914264
03	Spout overturning stopper, 120° Discontinued	59914429
04	Sealing kit for spout	59914431
05	Cartridge, 3.5 Classic	59913075
06	Tightening nut, M40x1	1003409V
07	Temperature adjustment limiter	59912325
08	Covering cap, 33x3 mm	59912504
09	Lever Discontinued	59914430
10	Fixing screw, M8x1, L=140	59912474
11	Fixing set	59910749
12	Supporting plate	59910008