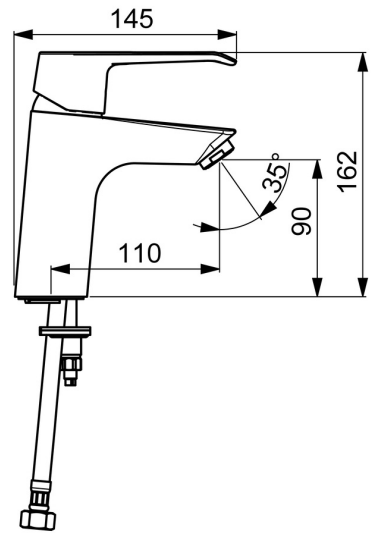
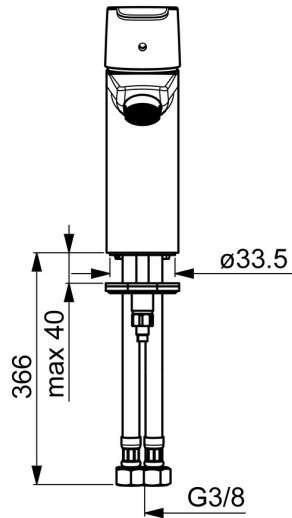
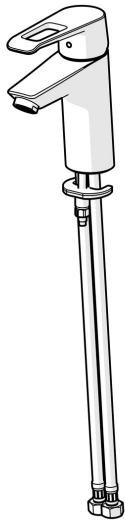


EAN: 4057304015632
static.hansa.com/51522286



- Washbasin
- Health & Care
- Single-lever
- Deck mounted
- Chrome
- Fixed spout
- Standard aerator
- Single operating lever/handle, Loop shape, Hot/Cold symbols
- Chain holder without chain
- Limitation option for maximum temperature and flow-rate
- \varnothing 35 mm ceramic cartridge for flow and temperature control
- Flexible inlet pipes
- Rapid installation system



Technical data

Flow properties

Flow-rate at 3 bar (with flow controller)	6.0 l/min
Pressure loss with flow (0.1 l/s)	2 bar

Technical properties

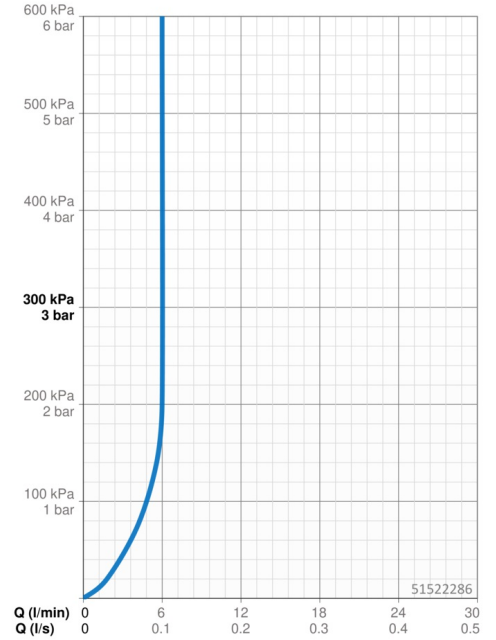
DN-size (nominal dimension)	DN15
Hot water supply	max. +80°C
Working pressure	0.5-10 bar
Connection size	G3/8
Projection	110 mm
Backflow prevention (EN1717)	AA
Material	Brass

Regulations

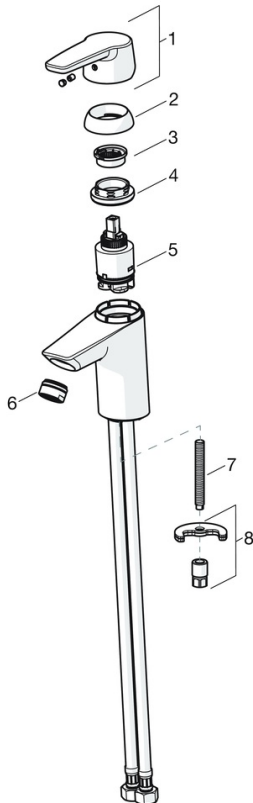
EN standard	EN 817
Noise class	I (ISO 3822) Oras lab.

Approvals and Declarations

ABP	P-IX 38812/IA
Declaration of conformity	DoC
EPD	S-P-06391



Spare parts



SP51402293

	Name	Code
01	Lever	59914417
01	Long lever	59914633
02	Covering cap, 33x3 mm	59912504
03	Temperature adjustment limiter	59912325
04	Tightening nut, M40x1	1003409V
05	Cartridge, 3.5 Classic	59913075
06	Aerator, M24x1 A, low pressure	59902692
06	Aerator, M24x1, 6 l/min	59913727
07	Fixing screw, M8x1, L=140	59912474
08	Fixing set	59910749
N.I.	Pop-up waste	59904620
N.I.	Flexible pipe, L=430, G3/8-M10x1	59912515
N.I.	Pop-up operating rod	59914464
N.I.	Pop-up waste, (2019-)	59914764