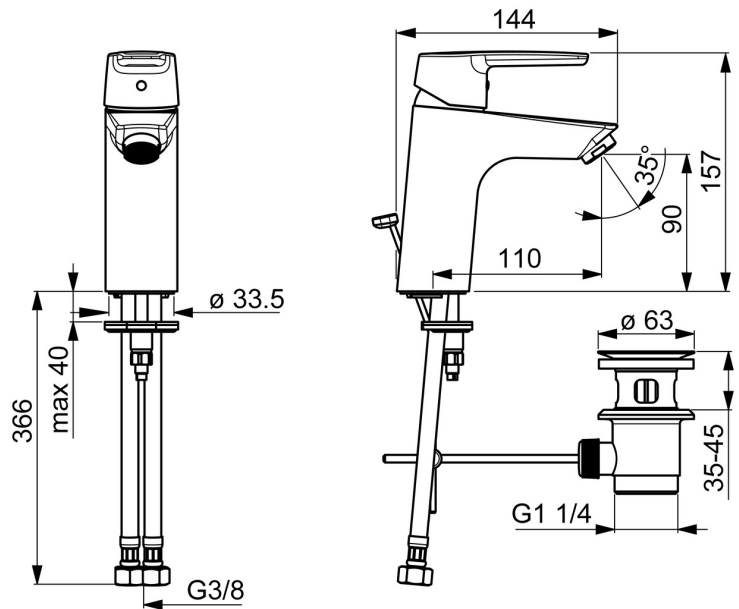
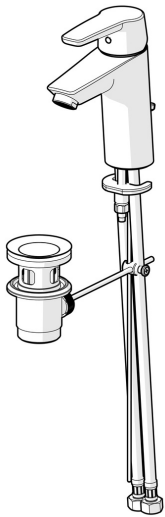


EAN: 4057304018329
static.hansa.com/515022930005



- Industry, ECO Building, Housing
- Single-lever
- Deck mounted
- Chrome
- Fixed spout
- PCA® - constant flow rate regardless of pressure variations
- Single operating lever/handle, Hot/Cold symbols
- Pop-up waste with draw-rod, Chain holder without chain
- Limitation option for maximum temperature and flow-rate
- ø 35 mm ceramic cartridge for flow and temperature control
- Flexible inlet pipes
- Inner body made of DZR brass, Rapid installation system



Technical data

Flow properties

Flow-rate at 3 bar (with flow controller) **4.2 l/min**

Technical properties

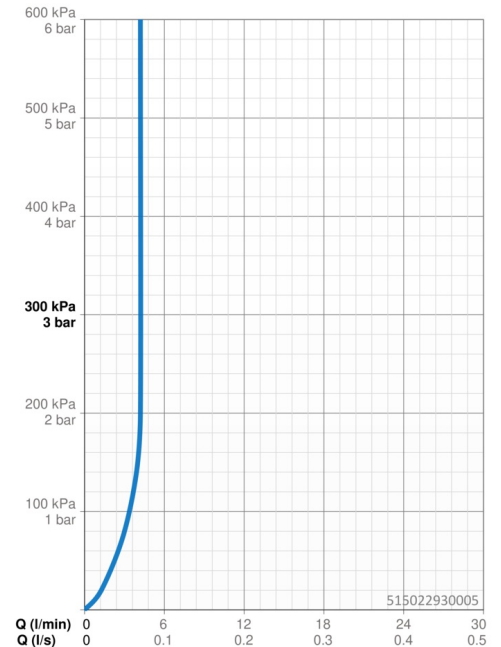
DN-size (nominal dimension) **DN15**
 Hot water supply **max. +70°C**
 Working pressure **0.5-10 bar**
 Connection size **G3/8**
 Projection **110 mm**
 Backflow prevention (EN1717) **AA**
 Material **Brass**

Regulations

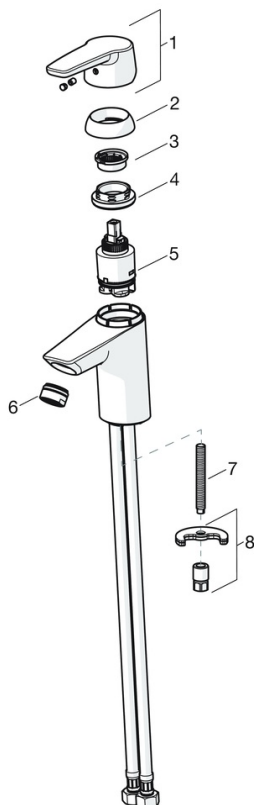
EN standard **EN 817**
 Noise class **I (ISO 3822)**

Approvals and Declarations

KIWA **K6116/08**
 DVGW **NW-6506BP0361**
 ABP **P-IX 38812/IA**
 Declaration of conformity **DoC**
 EPD **S-P-06391**



Spare parts



SP51402293

	Name	Code
01	Lever	59914417
01	Long lever	59914633
02	Covering cap, 33x3 mm	59912504
03	Temperature adjustment limiter	59912325
04	Tightening nut, M40x1	1003409V
05	Cartridge, 3.5 Classic	59913075
06	Aerator, M24x1 A, low pressure	59902692
06	Aerator, M24x1, 6 l/min	59913727
07	Fixing screw, M8x1, L=140	59912474
08	Fixing set	59910749
N.I.	Pop-up waste	59904620
N.I.	Flexible pipe, L=430, G3/8-M10x1	59912515
N.I.	Pop-up operating rod	59914464
N.I.	Pop-up waste, (2019-)	59914764