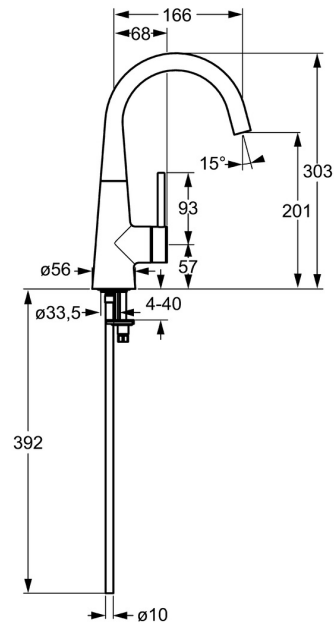
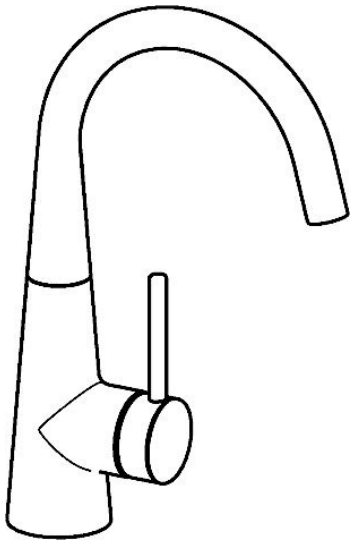


EAN: 4015474194281
static.hansa.com/51492173



- Washbasin
- Single-lever, side operated
- Deck mounted
- Chrome
- Swivel spout
- PCA® - constant flow rate regardless of pressure variations, Hidden aerator
- Pin shape, Hot/Cold symbols, Single operating lever/handle
- Limitation option for maximum temperature and flow-rate, Adjustable hot water stop (included, retrofittable)
- ø 35 mm ceramic cartridge for flow and temperature control
- Copper inlet pipes
- Inner body made of DZR brass
- Without pop-up waste, Without draw-rod opening



Technical data

Flow properties

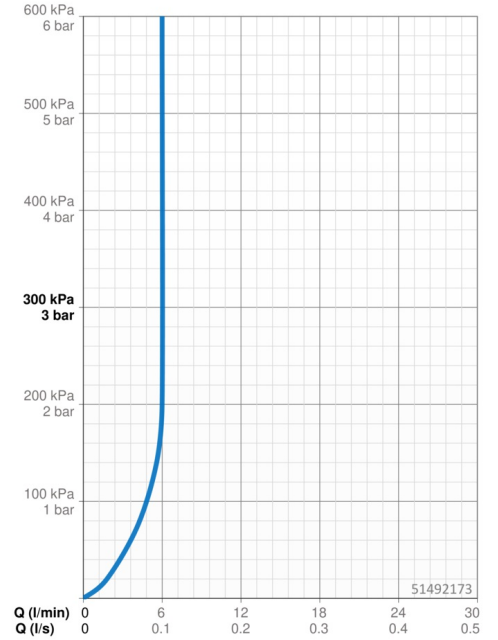
Flow-rate at 3 bar (with flow controller)	6.0 l/min
Pressure loss with flow (0.1 l/s)	2 bar

Technical properties

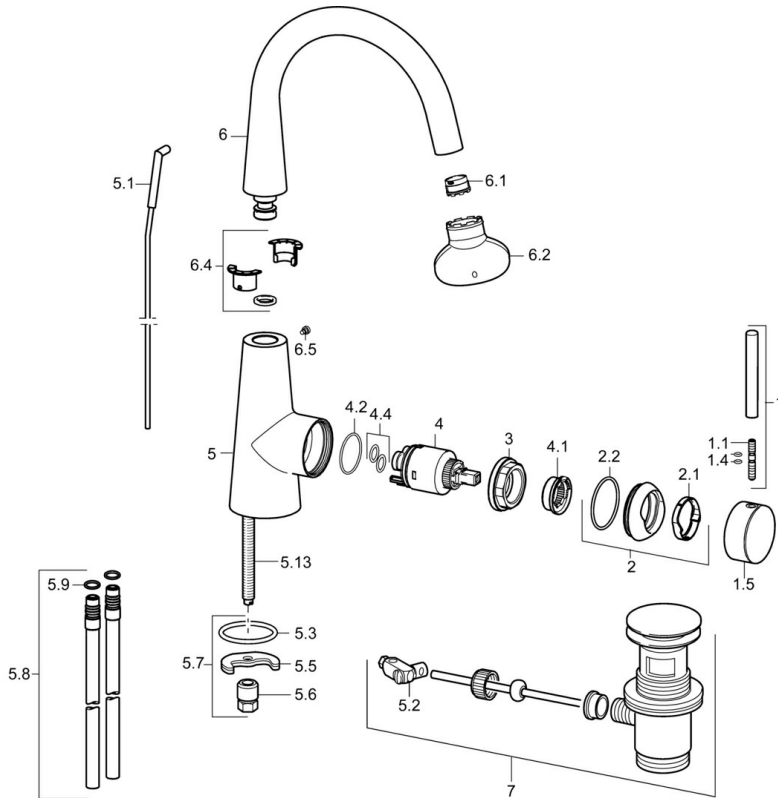
DN-size (nominal dimension)	DN15
Hot water supply	max. +80°C
Working pressure	1-10 bar
Connection size	Ø10
Projection	166 mm
Material	Brass

Regulations

EN standard	EN 817
Noise class	I (ISO 3822)



Spare parts



SP51032173

	Name	Code
1	Lever, 70 mm	59913331
1.1	Screw, M5x35	59913299
1.4	O-ring, d 3x1.5	59913100
1.5	Cap	59913328
1.5	Cap Black Discontinued	59913329
1.5	Cap White Discontinued	59913330
2	Covering cap	59913364
2.1	Bearing ring	59913363
2.2	O-ring, d 38x2	59913212
3	Screw, M42x1, SW34	59913365
4	Cartridge, 3.5 Eco	59912324
4	Cartridge, 3.5 Classic	59913075
4.1	Temperature adjustment limiter	59912325
4.2	O-ring, d 28.24x2.62 Discontinued	59912590
4.4	O-ring, d 10.10x1.60 Discontinued	59905072
5.1	Lever for pop-up waste	59913362
5.2	Swivel joint	59904624
5.3	O-ring, d 36.09x d 3.53	59913396
5.5	Fixing plate	59904765
5.6	Screw, M8x1, SW13	59904766
5.7	Fixing set	59910749
5.8	Coupling pipe, L=430, M10x1	59912550
5.9	O-ring, 9x2	59905095
5.13	Fixing screw, M8x1, L=140	59912474
6	Spout	59913456
6.1	Aerator, M18.5x1, TJ	59913366
6.2	Key for aerator, M18.5	59913367
6.4	Sealing kit	59911884
6.5	Screw, M4x7	59902075
7	Pop-up waste	59911441
N.I.	Key, SW30/34	59912108
N.I.	Flexible pipe, L=500, G3/8-M10x1	59911767