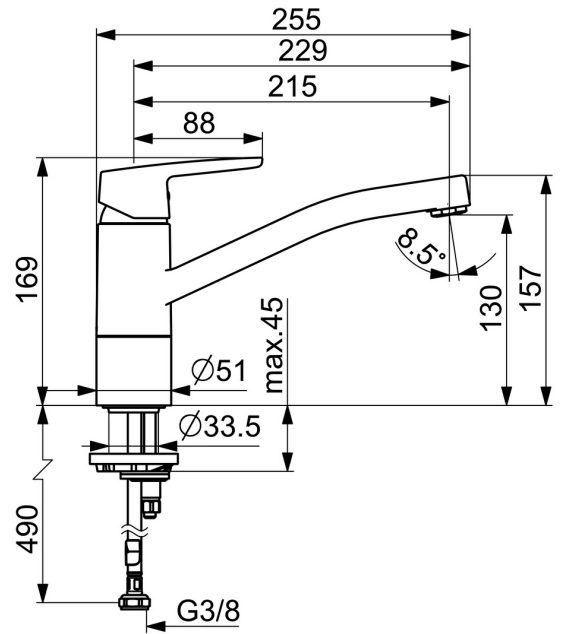
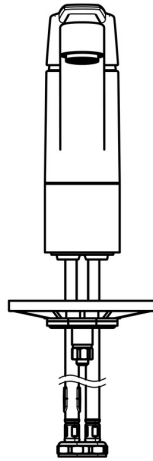
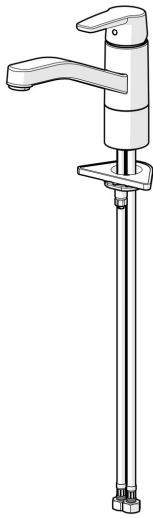


EAN: 4057304018428  
[static.hansa.com/5148229300066](http://static.hansa.com/5148229300066)



- ECO Building, Housing
- Single-lever, Cold Start
- Deck mounted
- Chrome
- Swivel spout, Swivel range limiting option
- Standard aerator
- Single operating lever/handle, Hot/Cold symbols
- Limitation option for maximum temperature and flow-rate, Adjustable hot water stop (included, retrofittable), Energy saving variation (Cold Start) - cold water in the middle position
- $\phi$  35 mm ceramic eco cartridge for flow and temperature control
- Flexible inlet pipes
- Inner body made of DZR brass



## Technical data

### Flow properties

Eco-flow at 3 bar	<b>4.0 l/min</b>
Flow-rate at 3 bar	<b>6.0 l/min</b>
Flow-rate at 3 bar (with flow controller)	<b>6.0 l/min</b>

### Technical properties

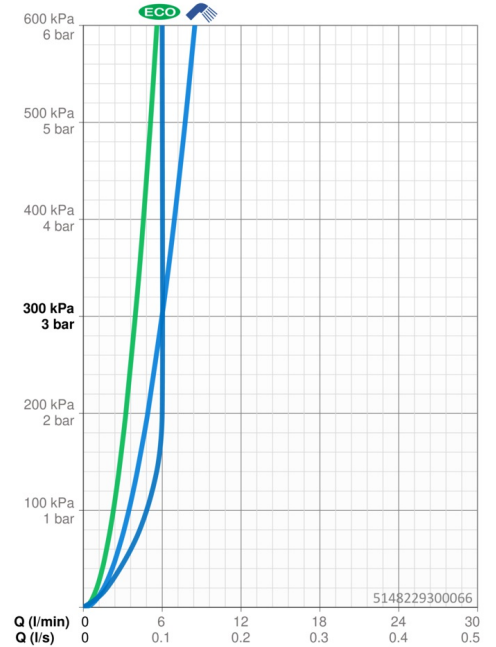
DN-size (nominal dimension)	<b>DN15</b>
Hot water supply	<b>max. +70°C</b>
Working pressure	<b>0.5-10 bar</b>
Connection size	<b>G3/8</b>
Projection	<b>215 mm</b>
Backflow prevention (EN1717)	<b>AA</b>
Material	<b>Brass</b>

### Regulations

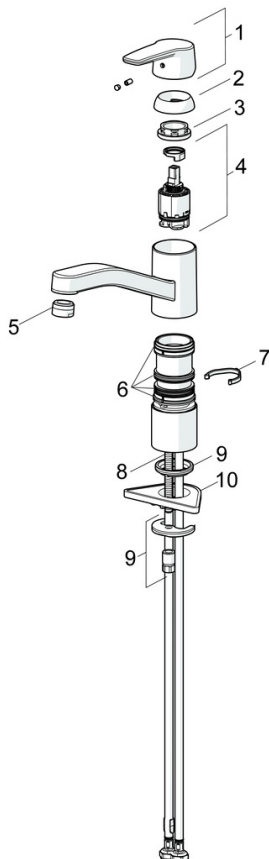
EN standard	<b>EN 817</b>
Noise class	<b>I (ISO 3822)</b>

### Approvals and Declarations

KIWA	<b>K6116/08</b>
DVGW	<b>NW-6506BP0361</b>
Declaration of conformity	<b>DoC</b>
EPD	<b>S-P-06396</b>



## Spare parts



### SP51482293(2020)

	Name	Code
01	Lever	59914417
02	Covering cap, 33x3 mm	59912504
03	Tightening nut, M37x1, SW30	1005680V
04	Cartridge, 3.5 Classic	59913075
05	Aerator, M24x1 STD HC A	59902366
06	Sealing kit	1001264V
07	Spout overturning stopper, 120°	59914489
08	Fixing screw, M8x1, L=140	59912474
09	Fixing set	59910749
10	Supporting plate	59910008