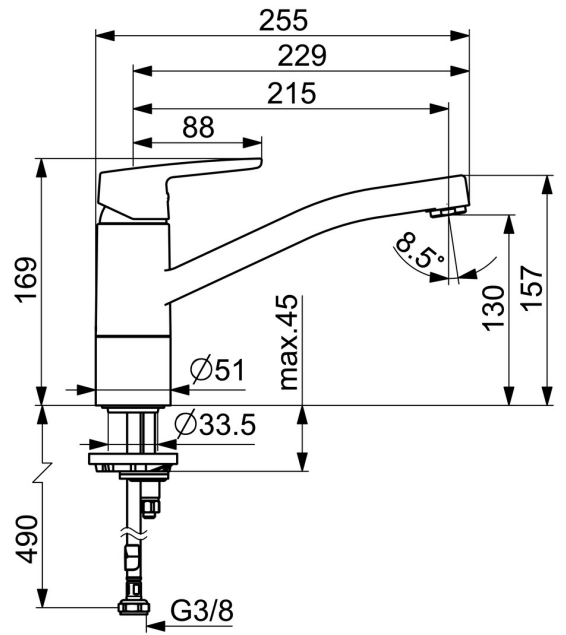
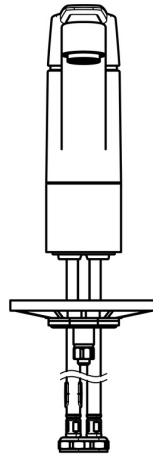
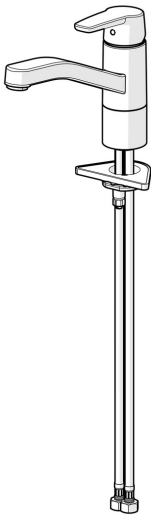


EAN: 4057304018442
static.hansa.com/514822930004



- ECO Building
- Single-lever
- Deck mounted
- Chrome
- Swivel spout
- Standard aerator
- Single operating lever/handle, Hot/Cold symbols
- Limitation option for maximum temperature and flow-rate
- \varnothing 35 mm ceramic cartridge for flow and temperature control
- Flexible inlet pipes
- Inner body made of DZR brass



Technical data

Flow properties

Flow-rate at 3 bar	3.4 l/min
Flow-rate at 3 bar (with flow controller)	3.4 l/min

Technical properties

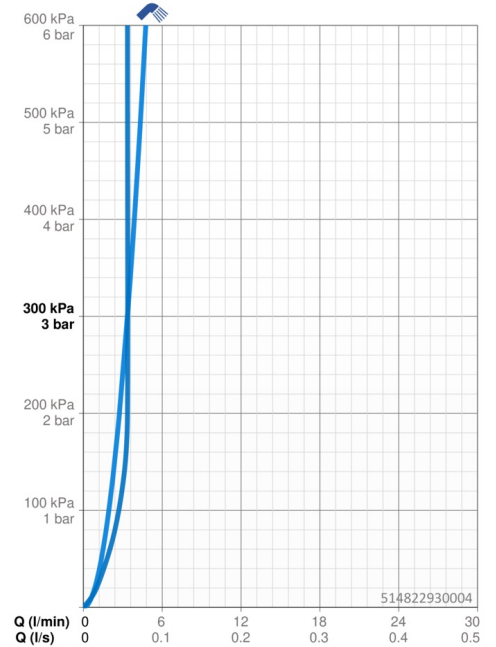
DN-size (nominal dimension)	DN15
Hot water supply	max. +70°C
Working pressure	0.5-10 bar
Connection size	G3/8
Projection	215 mm
Backflow prevention (EN1717)	AA
Material	Brass

Regulations

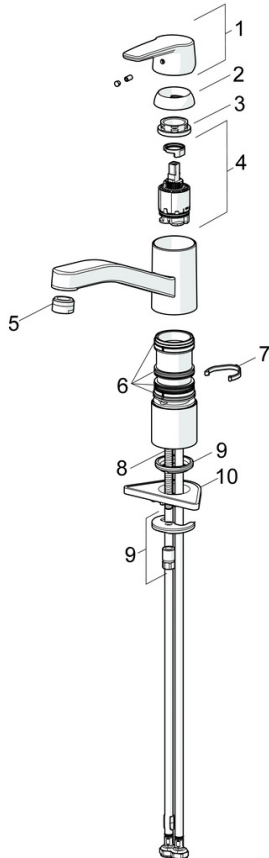
EN standard	EN 817
Noise class	I (ISO 3822)

Approvals and Declarations

KIWA	K6116/08
DVGW	NW-6506BP0361
Declaration of conformity	DoC
EPD	S-P-06396



Spare parts



SP51482293(2020)

	Name	Code
01	Lever	59914417
02	Covering cap, 33x3 mm	59912504
03	Tightening nut, M37x1, SW30	1005680V
04	Cartridge, 3.5 Classic	59913075
05	Aerator, M24x1 STD HC A	59902366
06	Sealing kit	1001264V
07	Spout overturning stopper, 120°	59914489
08	Fixing screw, M8x1, L=140	59912474
09	Fixing set	59910749
10	Supporting plate	59910008