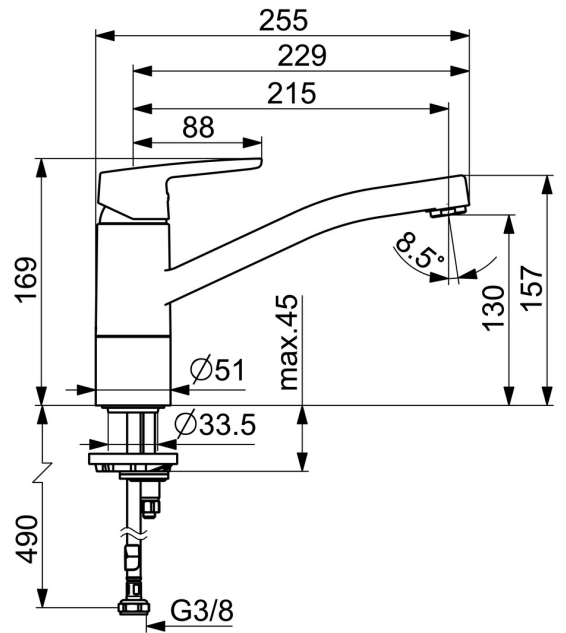
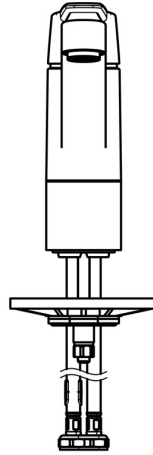
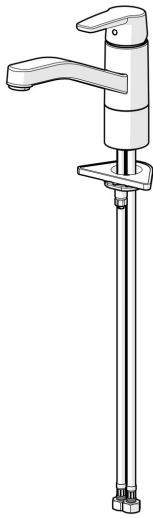


EAN: 4057304002854  
[static.hansa.com/51482293](http://static.hansa.com/51482293)



- Kitchen
- Single-lever
- Deck mounted
- Chrome
- Swivel spout, Swivel range limiting option
- Standard aerator
- Hot/Cold symbols, Single operating lever/handle
- Limitation option for maximum temperature and flow-rate, Adjustable hot water stop (included, retrofittable)
- $\phi$  35 mm ceramic cartridge for flow and temperature control
- Flexible inlet pipes
- Inner body made of DZR brass, Rapid installation system



## Technical data

### Flow properties

Flow-rate at 3 bar **12.0 l/min**

### Technical properties

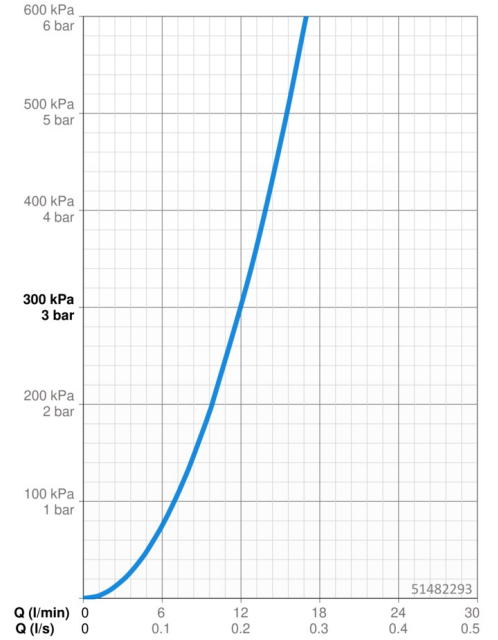
DN-size (nominal dimension) **DN15**  
 Hot water supply **max. +70°C**  
 Working pressure **0.5-10 bar**  
 Connection size **G3/8**  
 Projection **215 mm**  
 Backflow prevention (EN1717) **AA**  
 Material **Brass**

### Regulations

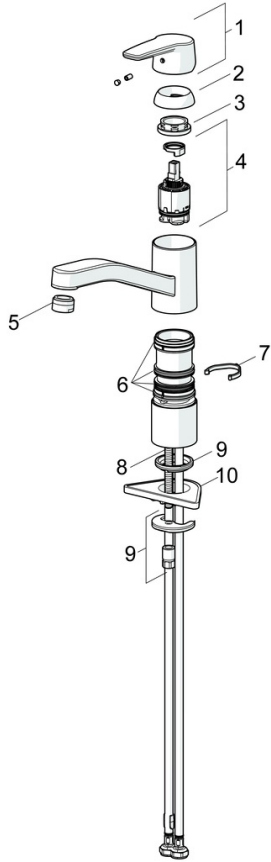
EN standard **EN 817**  
 Noise class **I (ISO 3822)**

### Approvals and Declarations

KIWA **K6116/08**  
 DVGW **NW-6506BP0361**  
 ABP **P-IX 38812/IA**  
 Declaration of conformity **DoC**  
 EPD **S-P-06396**

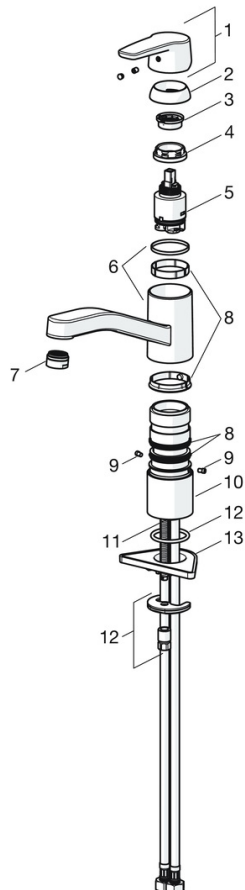


## Spare parts



### SP51482293(2020)

	Name	Code
01	Lever	59914417
02	Covering cap, 33x3 mm	59912504
03	Tightening nut, M37x1, SW30	1005680V
04	Cartridge, 3.5 Classic	59913075
05	Aerator, M24x1 STD HC A	59902366
06	Sealing kit	1001264V
07	Spout overturning stopper, 120°	59914489
08	Fixing screw, M8x1, L=140	59912474
09	Fixing set	59910749
10	Supporting plate	59910008



### SP51482293

	Name	Code
01	Lever	59914417
02	Covering cap, 33x3 mm	59912504
03	Temperature adjustment limiter	59912325
04	Tightening nut, M37x1, AF30 Discontinued	59912111
05	Cartridge, 3.5 Classic	59913075
06	Spout Discontinued	59914432
07	Aerator, M24x1 STD HC A	59902366
08	Sealing kit	1001264V
08	Sealing kit Discontinued	59913968
09	Spout overturning stopper Discontinued	59914437
10	Raising socket	59913973
11	Fixing screw, M8x1, L=140	59912474
12	Fixing set	59910749
13	Supporting plate	59910008