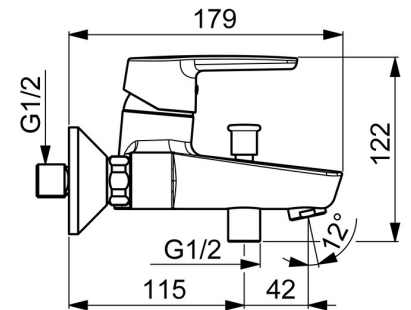
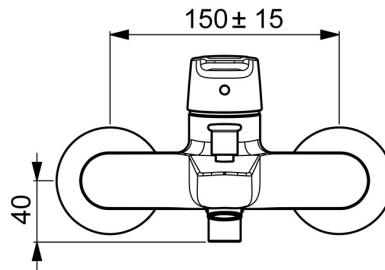
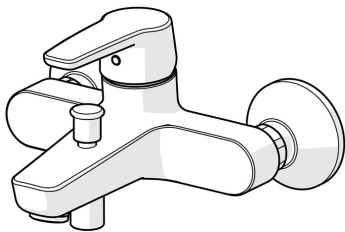


EAN: 4057304002946  
[static.hansa.com/514421930067](http://static.hansa.com/514421930067)



- Bathtub & Shower
- Single-lever, Cold Start
- Wall mounted
- Chrome
- Standard aerator
- Hot/Cold symbols, Single operating lever/handle
- Pull operated diverter, Automatic reset
- Limitation option for maximum temperature and flow-rate, Energy saving variation (Cold Start) - cold water in the middle position
- Non-return valve(s),  $\varnothing$  35 mm ceramic eco cartridge for flow and temperature control
- Eccentric coupling(s)
- Inner body made of DZR brass



## Technical data

### Flow properties

Eco-flow at 3 bar	<b>9.0 l/min</b>
Flow-rate at 3 bar	<b>20.4 / 19.2 l/min</b>

### Technical properties

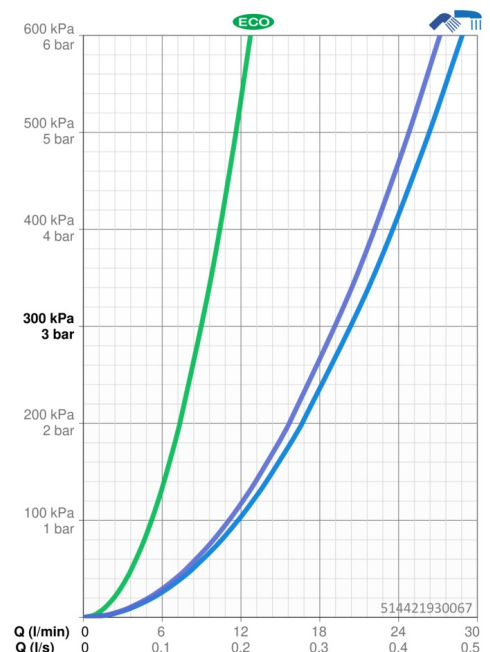
DN-size (nominal dimension)	<b>DN15</b>
Hot water supply	<b>max. +90°C</b>
Working pressure	<b>0.5-10 bar</b>
Connection size	<b>G3/4</b>
Installation width	<b>150 ± 15 mm</b>
Projection	<b>159 mm</b>
Backflow prevention (EN1717)	<b>EB</b>
Material	<b>Brass</b>

### Regulations

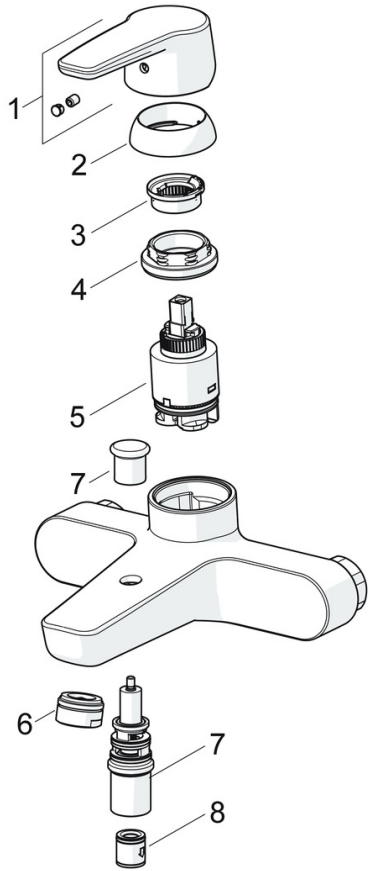
EN standard	<b>EN 817</b>
Noise class	<b>I (ISO 3822)</b>

### Approvals and Declarations

Declaration of conformity	<b>DoC</b>
---------------------------	------------

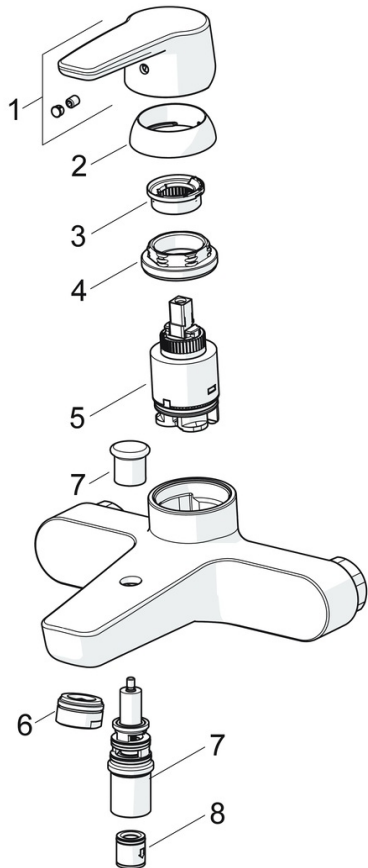


## Spare parts



### SP514421930067

	Name	Code
01	Lever	59914417
02	Covering cap, 33x3 mm	59912504
03	Temperature adjustment limiter	59912325
04	Tightening nut, M40x1	1003409V
05	Cartridge, 3.5 Eco	59912324
06	Aerator, M24x1 D	59911829
07	Diverter	59912706
08	Non-return valve	59905714



### SP51442193

	Name	Code
01	Lever	59914417
02	Covering cap, 33x3 mm	59912504
03	Temperature adjustment limiter	59912325
04	Tightening nut, M40x1	1003409V
05	Cartridge, 3.5 Classic	59913075
06	Aerator, M24x1 D	59911829
07	Diverter	59912706
08	Non-return valve	59905714