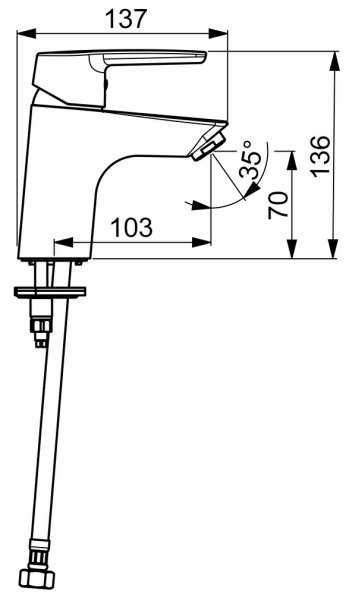
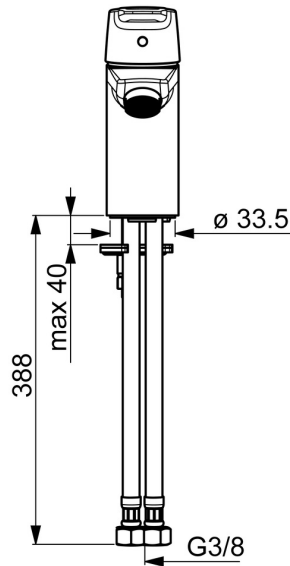
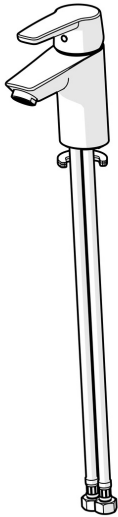


EAN: 4057304018381
static.hansa.com/5142229300056



- ECO Building
- Single-lever, Cold Start
- Deck mounted
- Chrome
- Fixed spout
- PCA® - constant flow rate regardless of pressure variations
- Single operating lever/handle, Hot/Cold symbols
- Chain holder without chain
- Limitation option for maximum temperature and flow-rate, Energy saving variation (Cold Start) - cold water in the middle position
- ø 35 mm ceramic eco cartridge for flow and temperature control
- Flexible inlet pipes
- Inner body made of DZR brass
- Without pop-up waste, Without draw-rod opening



Technical data

Flow properties

Eco-flow at 3 bar	3.0 l/min
Flow-rate at 3 bar (with flow controller)	4.2 l/min

Technical properties

DN-size (nominal dimension)	DN15
Hot water supply	max. +70°C
Working pressure	0.5-10 bar
Connection size	G3/8
Projection	103 mm
Backflow prevention (EN1717)	AA
Material	Brass

Regulations

EN standard	EN 817
Noise class	I (ISO 3822)

Approvals and Declarations

Declaration of conformity	DoC
EPD	S-P-06391

