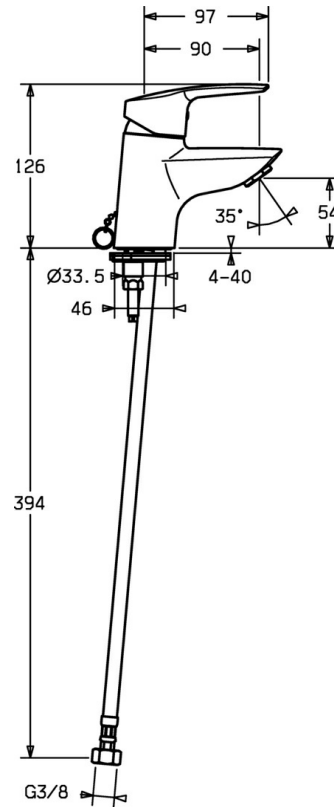
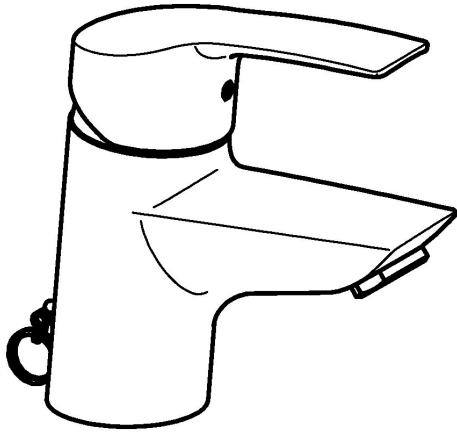


EAN: 4015474160392
static.hansa.com/51412273



- Washbasin
- Single-lever
- Deck mounted
- Chrome
- Fixed spout
- PCA® - constant flow rate regardless of pressure variations
- Hot/Cold symbols, Single operating lever/handle
- Chain holder with chain
- Flexible inlet pipes
- Inner body made of DZR brass
- Without pop-up waste



Technical data

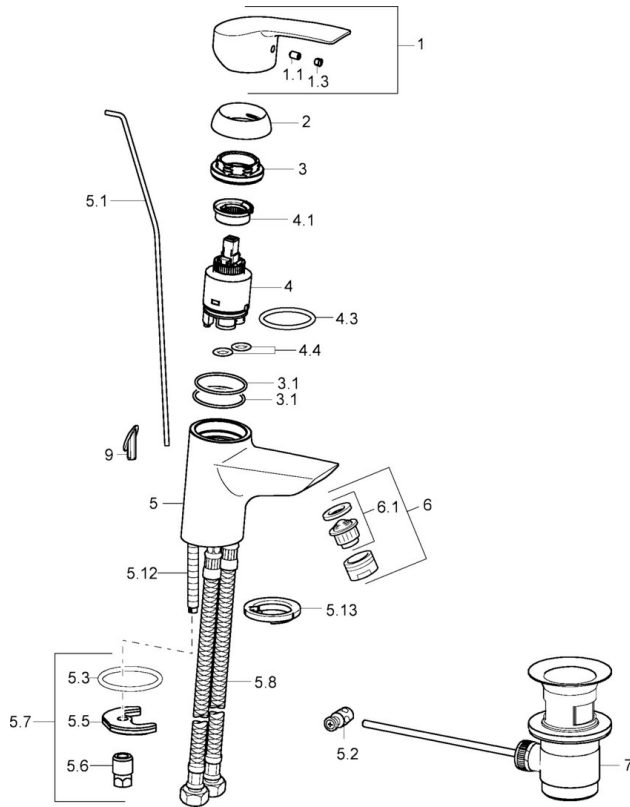
Technical properties

DN-size (nominal dimension)	DN15
Hot water supply	max. +70°C
Working pressure	0.5-10 bar
Connection size	G3/8
Length / Height	90 mm
Projection	90 mm
Material	Brass

Regulations

EN standard	EN 817
-------------	---------------

Spare parts



SP51402373

	Name	Code
1	Lever	59914417
1.1	Screw, M5x8, SW2.5	59904755
1.3	Symbol plug Grey	59912112
2	Covering cap, 33x3 mm	59912504
3	Tightening nut, M40x1	1003409V
3.1	O-ring, d 38x2	59913212
4	Cartridge, 3.5 Eco	59912324
4	Cartridge, 3.5 Classic	59913075
4.1	Temperature adjustment limiter	59912325
4.3	O-ring, d 28.24x2.62 Discontinued	59912590
4.4	O-ring, d 10.10x1.60 Discontinued	59905072
5.1	Pop-up operating rod	59913214
5.2	Swivel joint	59904624
5.3	Gasket, 43x37x3	59912506
5.5	Fixing plate	59904765
5.6	Screw, M8x1, SW13	59904766
5.7	Fixing set	59912113
5.8	Flexible pipe, L=430, G3/8-M10x1 RH Discontinued	59913213
5.9	Flexible pipe, L=430, G3/8-M10x1	59912515
5.10	O-ring, d 7.65x1.78	59902337
5.11	Gasket, 9.5x14.4x2	59912551
5.12	Fixing screw, M8x1, L=140	59912474
5.13	Bottom seal	59914591
6	Aerator, M24x1, 6 l/min	59913727
7	Pop-up waste	59904620
9	Plug	59906910
N.I.	Washer with chain holder	59902219
N.I.	Key, SW30/34	59912108