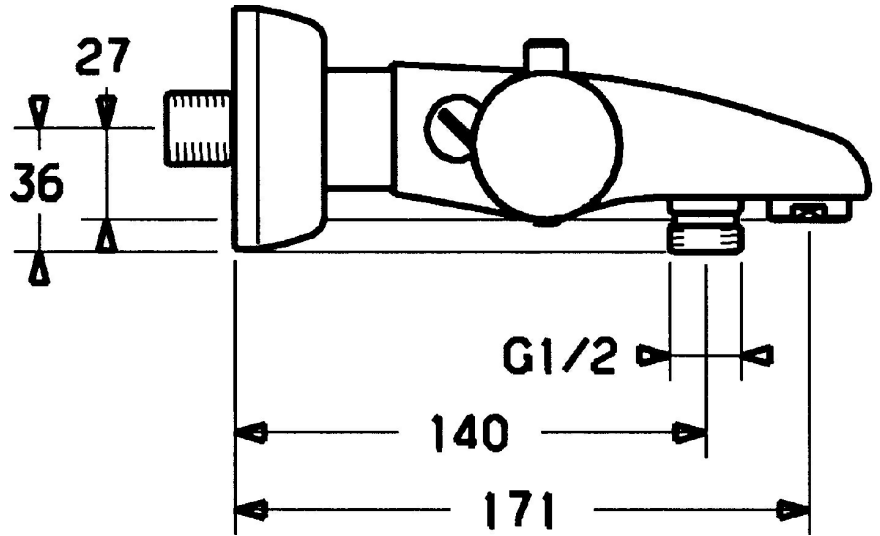


EAN: 4015474045682
static.hansa.com/51392102



- Bathtub & Shower
- Thermostatic
- Wall mounted
- Chrome
- Temperature control handle
- Limitation option for maximum temperature and flow-rate, Safety stop against scalding at 38°C
- Litter filter(s), Non-return valve(s), Thermostatic cartridge for automatic temperature control
- Silencer(s)
- protected against back-flow in domestic use (according to DIN EN 1717)

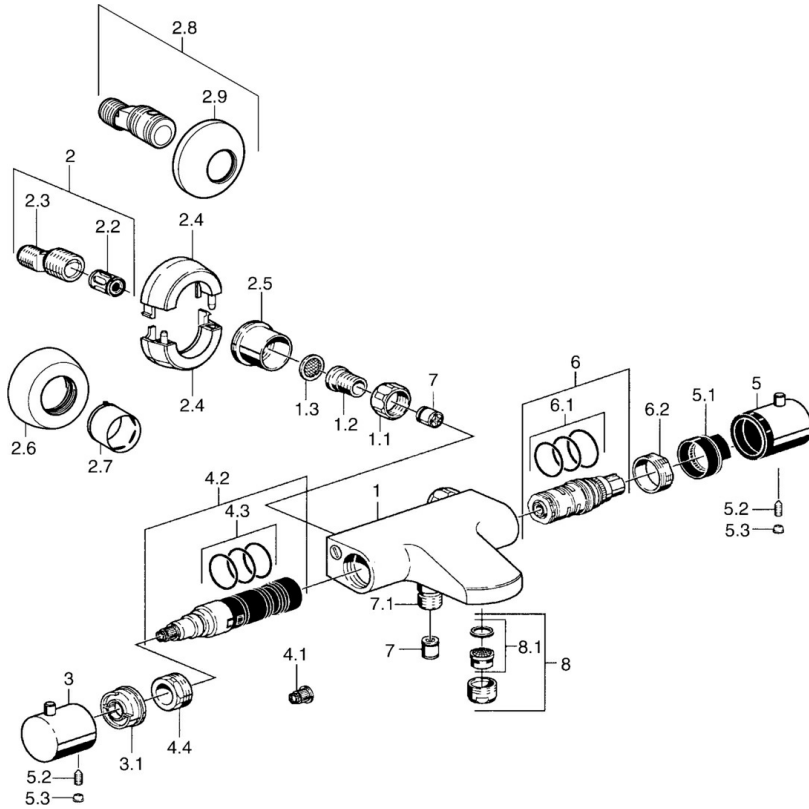


Technical data

Technical properties

| | |
|------------------------------|-------------------|
| Hot water supply | max. +80°C |
| Working pressure | 0.5-10 bar |
| Backflow prevention (EN1717) | EB |
| Material | Brass |

Spare parts



SP51392102

| | Name | Code |
|------|---|----------|
| 1.1 | Connection nut, G3/4, AF30 | 59902230 |
| 1.2 | Nipple | 59911075 |
| 1.3 | Filter sealing, G3/4 | 59911076 |
| 2 | Eccentric connector, G3/4xG1/2, DN15 | 59910254 |
| 2.2 | Silencer | 59904792 |
| 2.4 | Cover flange Discontinued | 59911838 |
| 2.5 | Bushing, G3/4 Discontinued | 59911836 |
| 2.6 | Cover flange | 59912652 |
| 2.7 | Cover sleeve | 59912651 |
| 3 | Diverter Discontinued | 59912154 |
| 3.1 | Flow limiter | 59911897 |
| 4.1 | Adapter White | 59910235 |
| 4.2 | Diverter | 59911834 |
| 4.3 | O-ring kit, d 24x2 | 59911835 |
| 4.4 | Eye screw, M32x1.5 | 59911898 |
| 5 | Temperature control handle Discontinued | 59912156 |
| 5.1 | Temperature adjustment limiter | 59911660 |
| 5.2 | Screw, M6x9.5 | 59901609 |
| 5.3 | Cover plug | 59911840 |
| 6 | Thermostatic cartridge | 59911525 |
| 6.1 | O-ring, d 26x2 | 59911081 |
| 6.2 | Tightening nut, M34x1, SW32 | 59911082 |
| 7 | Non-return valve | 59905714 |
| 7.1 | Thread nipple, G1/2xM18x1 | 59911384 |
| 8 | Aerator, M24x1 D | 59911829 |
| 8.1 | Aerator, M22/M24 | 59905873 |
| N.I. | Thermostatic cartridge, H/C reversed | 59911527 |
| N.I. | Rebound pin | 59912005 |