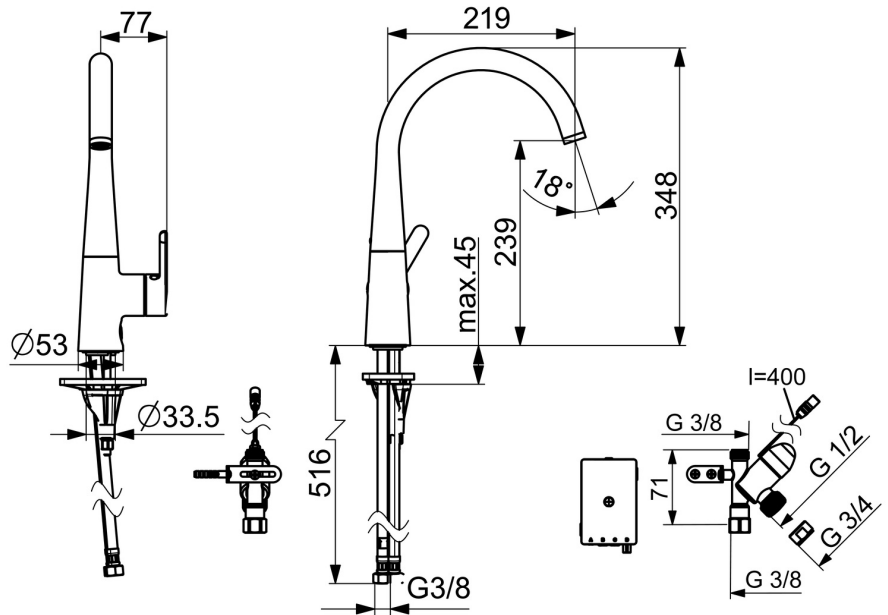
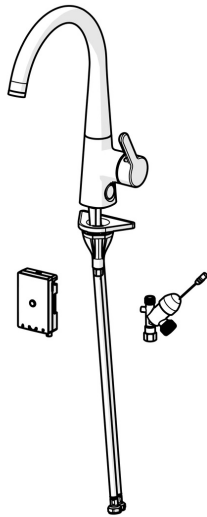


EAN: 4057304007071  
[static.hansa.com/51382283](http://static.hansa.com/51382283)

single-lever kitchen mixer, DN 15



- Kitchen
- Single-lever, side operated, Battery-operated, Dishwasher valve, Bluetooth®
- Deck mounted
- Chrome
- Swivel spout, Swivel range limiting option
- Standard aerator
- Electronic stop valve for external equipment
- Hot/Cold symbols, Single operating lever/handle
- Limitation option for maximum temperature and flow-rate
- ø 40 mm ceramic cartridge for flow and temperature control
- Solenoid valve, External control unit, Light indicated function(s), Low battery indicator
- Flexible inlet pipes
- 3S-installation system for safe and simple mounting



## Technical data

### Flow properties

Flow-rate at 3 bar	<b>12.0 l/min</b>
Pressure loss with flow (0.2 l/s)	<b>3 bar</b>

### Technical properties

DN-size (nominal dimension)	<b>DN15</b>
Hot water supply	<b>max. +70°C</b>
Working pressure	<b>0.5-10 bar</b>
Connection size	<b>G3/8</b>
Projection	<b>219 mm</b>
Material	<b>Brass</b>

### Software settings

Dishwasher valve open period	<b>4 h / 12 h</b>
------------------------------	-------------------

### Electronic properties

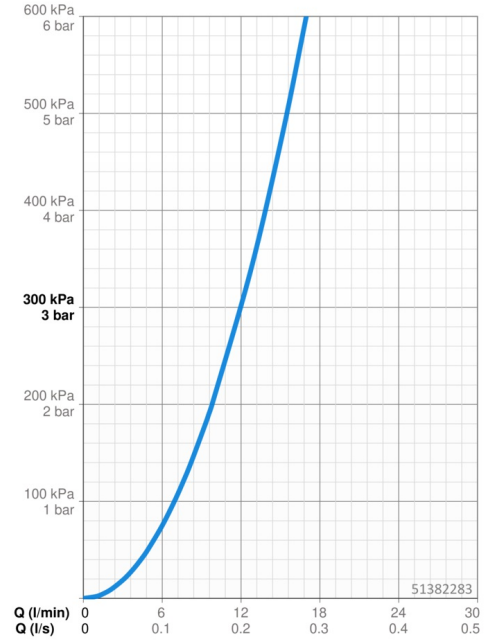
Battery	<b>AA 1.5 V Lithium x 2</b>
Bluetooth version	<b>5.x (D060577)</b>

### Regulations

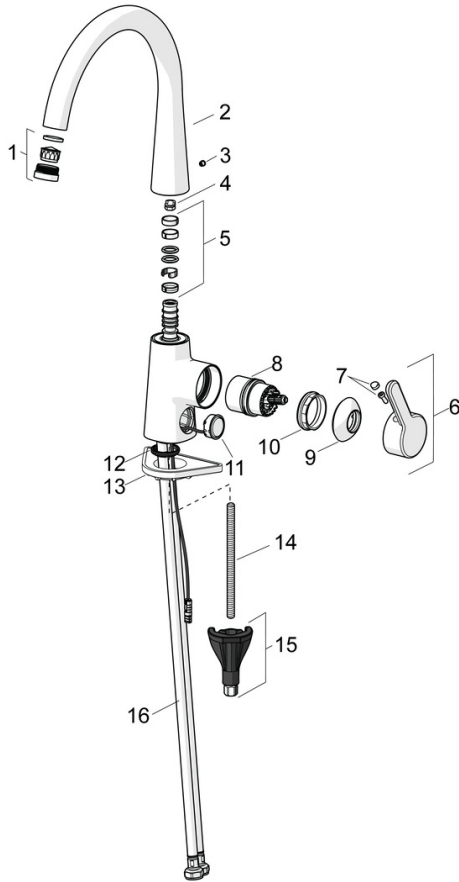
EU Directives	<b>C E Radio Equipment Directive 2014/53/EU , Low Voltage Directive 2014/35/EU , EMC Directive 2014/30/EU , RoHS Directive 2011/65/EU</b>
EN standard	<b>EN 817, EN 15091, ETSI EN 301 489-1 V1.9.2, ETSI EN 300 328 v2.2.2, EN 61000-6-1:2007, EN 61000-6-3:2007+A1:2011+AC:2012, EN 60335-1:2012+A11+A13+A14+A14+A2+A15:2021, Part 19.11.4</b>
Noise class	<b>I (ISO 3822)</b>
Protection class	<b>IP 55</b>

### Approvals and Declarations

UN38.3	<b>UN38-3 Energizer L91</b>
Declaration of conformity	<b>RED</b>

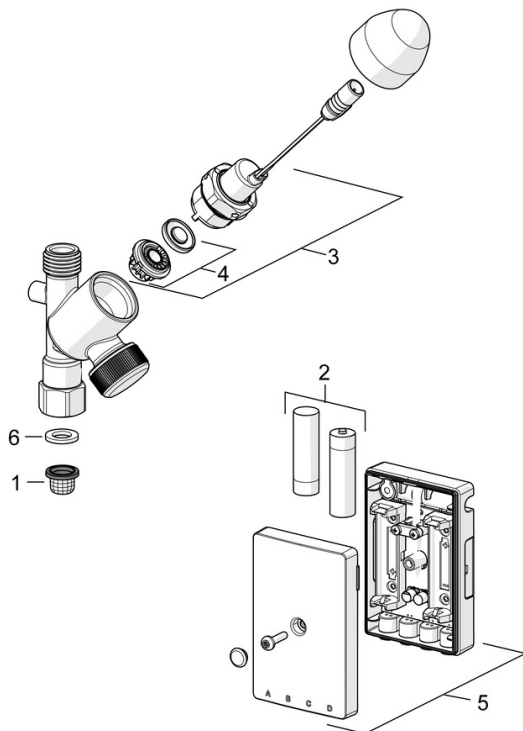


## Spare parts



### SP51012283

	Name	Code
01	Aerator and key, M24x1, (2002-)	59912225
02	High spout	1013087V
02	Spout Discontinued	59914683
03	Cover plug	59913762
04	Spout overturning stopper, 60° /0°	59914264
04	Spout overturning stopper, 120° Discontinued	59914429
05	Sealing kit for spout	59914431
06	Lever	59914652
07	Symbol plug	59914573
08	Cartridge	59914665
09	Covering cap	59914649
10	Tightening nut, M42x1.5, SW 38	59914128
11	Push button, 3 V	1004296V
12	Bottom seal	59914591
13	Supporting plate	59910008
14	Fixing screw, M8x1, L=130	59914474
15	Fixing set	59914475
16	Flexible pipe, L=550, G3/8-M10x1 LH Discontinued	59914685
16	Flexible pipe, L=550, G1/2-M10x1 LH, DN6 Discontinued	59914686



### SP0116D

	Name	Code
01	Litter filters	59914085
02	Battery, 1.5 V AA Lithium	59914136
03	Pilot valve, 3 V	59914338
04	Membrane for solenoid valve	1006500V
04	Membrane Discontinued	59914126
05	Control unit, 3 V, Bluetooth	1005266V
06	Gasket, 18.5/12x2 EPD Discontinued	59914692