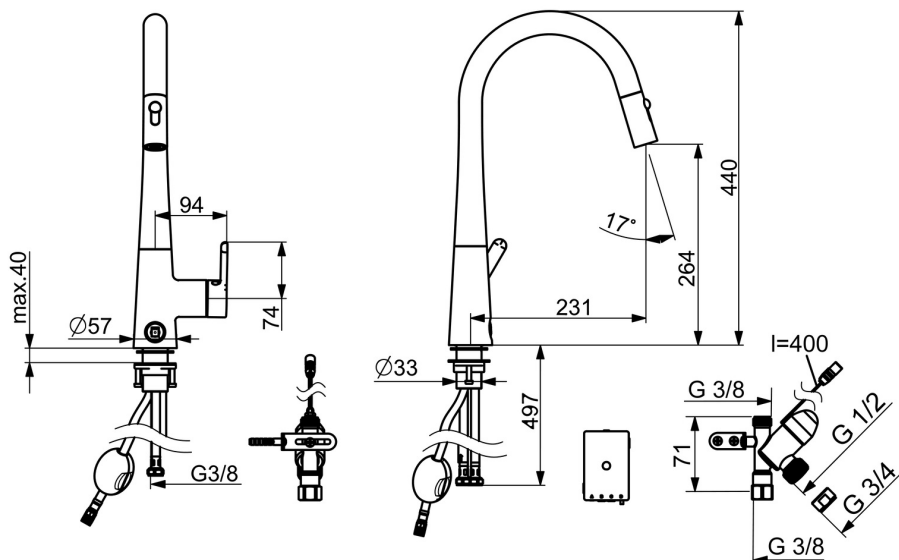
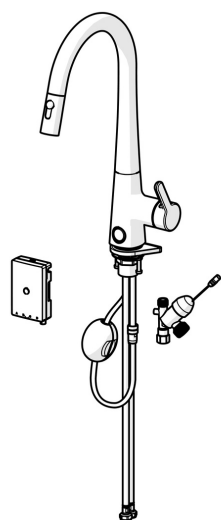


EAN: 4057304007101  
[static.hansa.com/51372283](http://static.hansa.com/51372283)

single-lever kitchen mixer, DN 15



- Kitchen
- Single-lever, side operated, Battery-operated, Dishwasher valve, Bluetooth®
- Deck mounted
- Chrome
- Swivel spout, Pull-out model, Swivel range limiting option
- Electronic stop valve for external equipment
- Hot/Cold symbols, Single operating lever/handle
- Limitation option for maximum temperature and flow-rate
- ø 40 mm ceramic cartridge for flow and temperature control, Litter filter(s)
- Solenoid valve, External control unit, Light indicated function(s), Low battery indicator
- Flexible inlet pipes
- Soft- and Needle-Spray
- 2 spray functions



## Technical data

### Flow properties

Flow-rate at 3 bar	<b>9.6 l/min</b>
Pressure loss with flow (0.2 l/s)	<b>3 bar</b>

### Technical properties

DN-size (nominal dimension)	<b>DN15</b>
Hot water supply	<b>max. +70°C</b>
Working pressure	<b>0.5-10 bar</b>
Connection size	<b>G3/8</b>
Projection	<b>231 mm</b>
Backflow prevention (EN1717)	<b>EB</b>
Material	<b>Brass</b>

### Software settings

Dishwasher valve open period	<b>4 h / 12 h</b>
------------------------------	-------------------

### Electronic properties

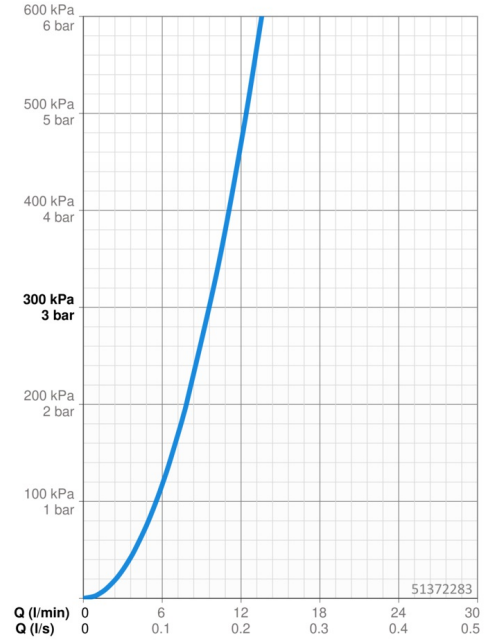
Battery	<b>AA 1.5 V Lithium x 2</b>
Bluetooth version	<b>5.x (D060577)</b>

### Regulations

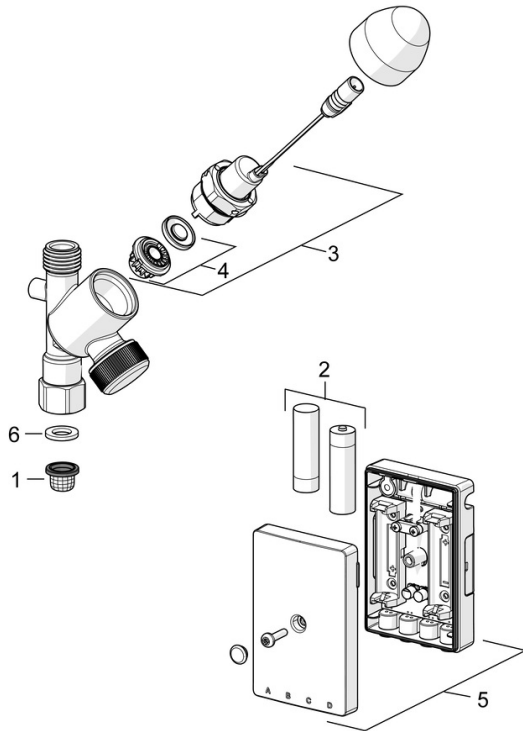
EU Directives	<b>C € Radio Equipment Directive 2014/53/EU , Low Voltage Directive 2014/35/EU , EMC Directive 2014/30/EU , RoHS Directive 2011/65/EU</b>
EN standard	<b>EN 817, EN 15091, ETSI EN 301 489-1 V1.9.2 , ETSI EN 300 328 v2.2.2 , EN 61000-6-1:2007 , EN 61000-6-3:2007+A1:2011+AC:2012 , EN 60335-1:2012+A11+A13+A14+A14+A2+A15:2021, Part 19.11.4</b>
Noise class	<b>I (ISO 3822)</b>
Protection class	<b>IP 55</b>

### Approvals and Declarations

UN38.3	<b>UN38-3 Energizer L91</b>
Declaration of conformity	<b>RED</b>

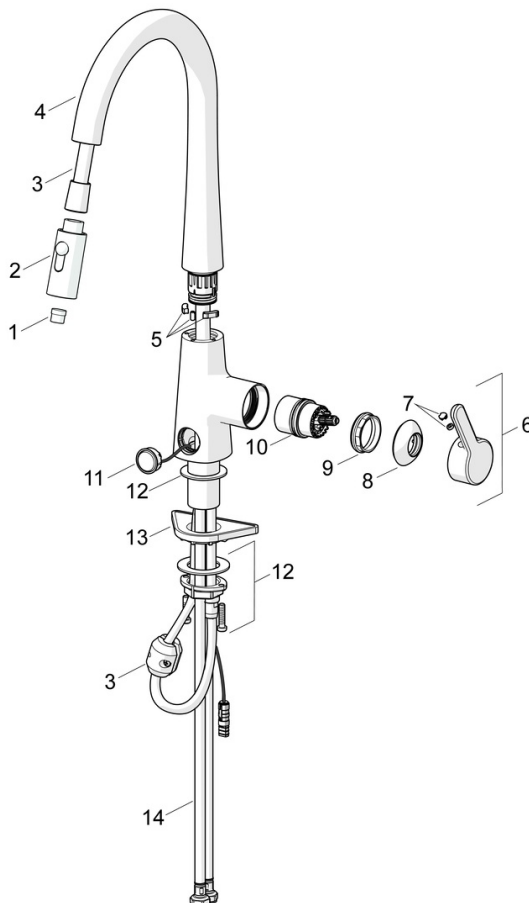


## Spare parts



### SP0116D

	Name	Code
01	Litter filters	59914085
02	Battery, 1.5 V AA Lithium	59914136
03	Pilot valve, 3 V	59914338
04	Membrane for solenoid valve	1006500V
04	Membrane Discontinued	59914126
05	Control unit, 3 V, Bluetooth	1005266V
06	Gasket, 18.5/12x2 EPD Discontinued	59914692



### SP51362283

	Name	Code
01	Aerator	59914583
02	Shower head	59914584
03	Hose, L=1500, G1/2-M14x1	59914690
04	Spout Discontinued	59914689
05	Spout overturning stopper, 60°/0° Discontinued	59914281
06	Lever	59914652
07	Symbol plug	59914341
08	Covering cap	59914649
09	Tightening nut, M42x1.5, SW 38	59914128
10	Cartridge	59914665
11	Push button, 3 V	1004296V
12	Fixing set	59913371
13	Supporting plate	59910008
14	Flexible pipe, L=550, G3/8-M10x1 LH Discontinued	59914691