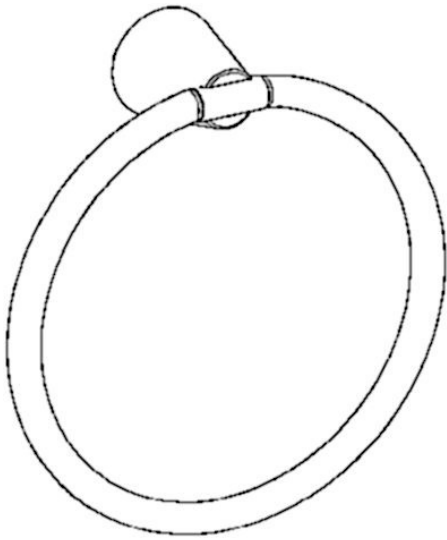


EAN: 4015474207257
static.hansa.com/51310970

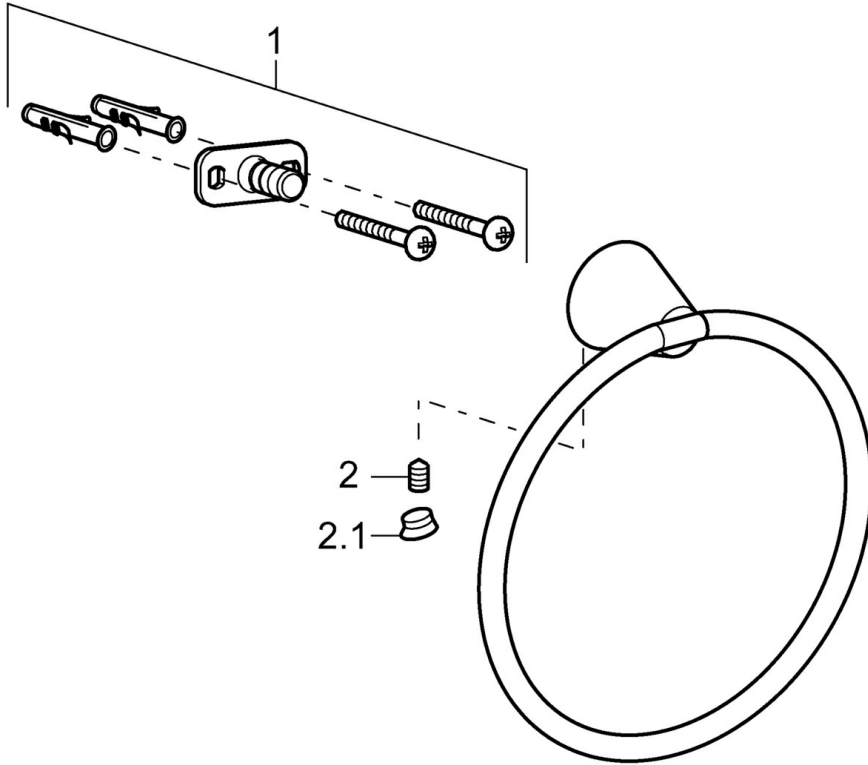


- Bathroom
- Accessories
- Wall mounted



Technical data

Spare parts



SP51310970

	Name	Code
1	Fixing set Discontinued	59912081
2	Pin, M5x8 Discontinued	59912082
2.1	Cover plug Discontinued	59912083